



Fire Alarm Station

Dual Action

278B Series

FEATURES

- > Dual action
- > Terminal strip wiring
- > Key reset models available
- > Break glass type
- > Injection molded Lexan construction

AGENCY APPROVALS

- > UL Listed
- > CSFM Listed

The 278B Series fire alarm pull stations are for fire alarm installations in schools, hospitals, factories, and industrial locations.

They are dual action devices molded from Lexan®. The pull stations are supplied with screw terminals for easy field wiring. For replacement glass rods, order Catalog No. 276-GLR (**pkg. of 20**). Tamper proof reset action.

The 278B Series may be semi-flush mounted using a 4" (102mm) square back box, with a minimum depth of 2 1/4" (57mm), and a single gang plaster cover. It may also be surface mounted using the Catalog No. 276B-RSB back box.

ACCESSORIES

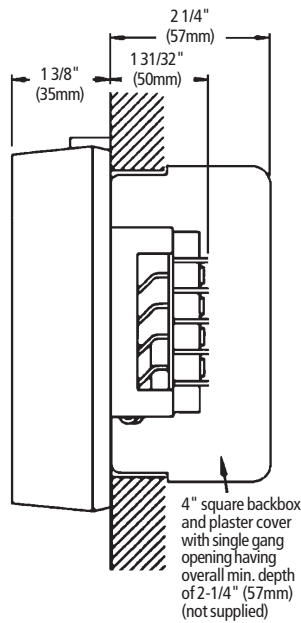
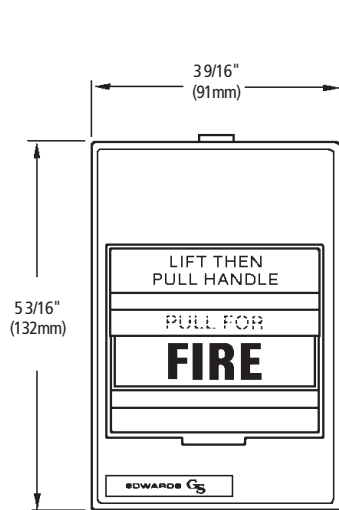
Cat. No.	Description
276B-RSB	Surface mount back box
276-GLR	20 pack of replacement glass rods
STI-3150	Protective station inclosure

LEXAN is a registered trademark of the General Electric Company.

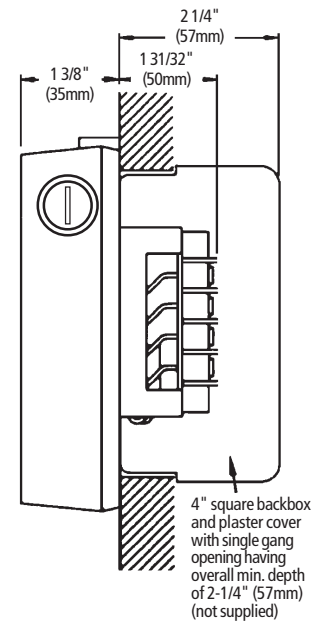
D-04



TECHNICAL INFORMATION



Cat. No. 278B-1110
with Tool Reset



Cat. No. 278B-1120 & 278B-1420
with Key Reset

Cat. No.	Description	Contact Rating		Total Depth
		Amps	Volts	
278B-1110	Normally open, Single pole contact Tool operated reset	3.0	30V AC	3 11/32" (85mm)
		1.0	28V DC	
278B-1120	Normally open, Single pole contact Key operated reset	3.0	30V AC	3 11/32" (85mm)
		1.0	28V DC	
278B-1420	Normally open/closed, Double pole contact Key operated reset	1.5	30V AC	3 11/32" (85mm)
		1.0	28V DC	