

Features

IDNet addressable interface modules for use with Simplex® models 4010 and 4100U fire alarm control panels**

4090-9002, Individual Addressable Relay Module (Relay IAM):

- A single addressable point provides control and status tracking of a Form “C” contact
- Low power latching relay design allows IDNet communications to supply both data and module power

Compact, sealed construction:

- Enclosed design minimizes dust infiltration
- Mounts in standard 4” square electrical box
- Screw terminals for wiring connections
- Visible LED flashes to indicate communications
- Optional covers are available to allow LED to be viewed after installation

UL listed to Standard 864

Description

IDNet Relay IAMs allow fire alarm control panels to control a remotely located Form “C” contact using IDNet addressable communications for both data and module power. Typical applications would be for switching local power for control functions such as elevator capture, or control of HVAC components, pressurization fans, dampers, etc. Relay status is also communicated requiring only one device address.

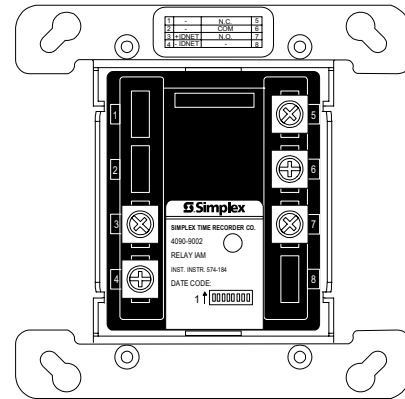
Product Selection

Model	Description
4090-9002	Relay IAM

Optional Trim Plates

Model	Description	
4090-9801	Trim plate with LED viewing window, includes mounting screws; painted beige	For semi-flush mounted box
4090-9802		For surface mounted box

* This product has been approved by the California State Fire Marshal (CSFM) pursuant to Section 13144.1 of the California Health and Safety Code. See CSFM Listing 7300-0026:223 for allowable values and/or conditions concerning material presented in this document. It is subject to re-examination, revision, and possible cancellation. Accepted for use – City of New York Department of Buildings – MEA35-93E. Additional listings may be applicable; contact your local Simplex product supplier for the latest status.



4090 Series IDNet Relay IAM Package
(shown approximately 1/2 size)

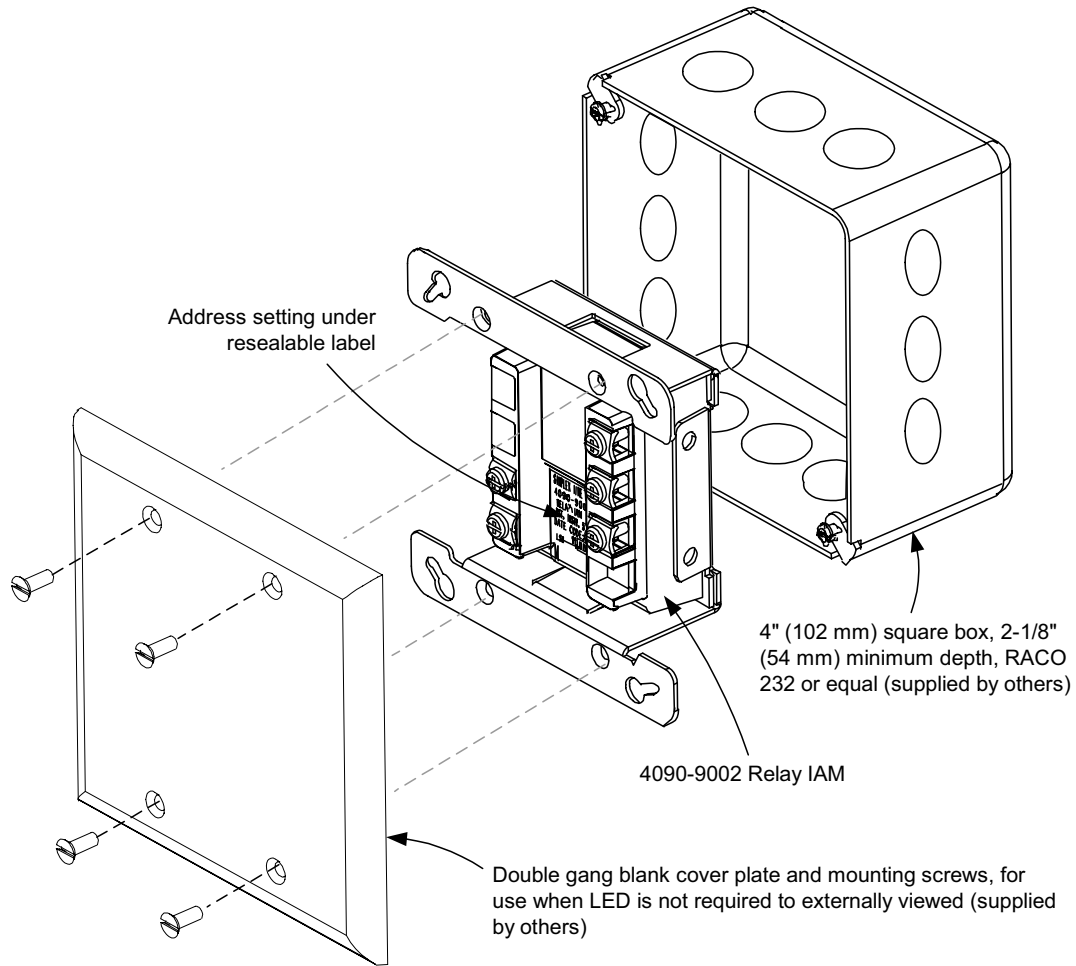
Specifications

(Refer to Installation Instructions 574-184 for additional information.)

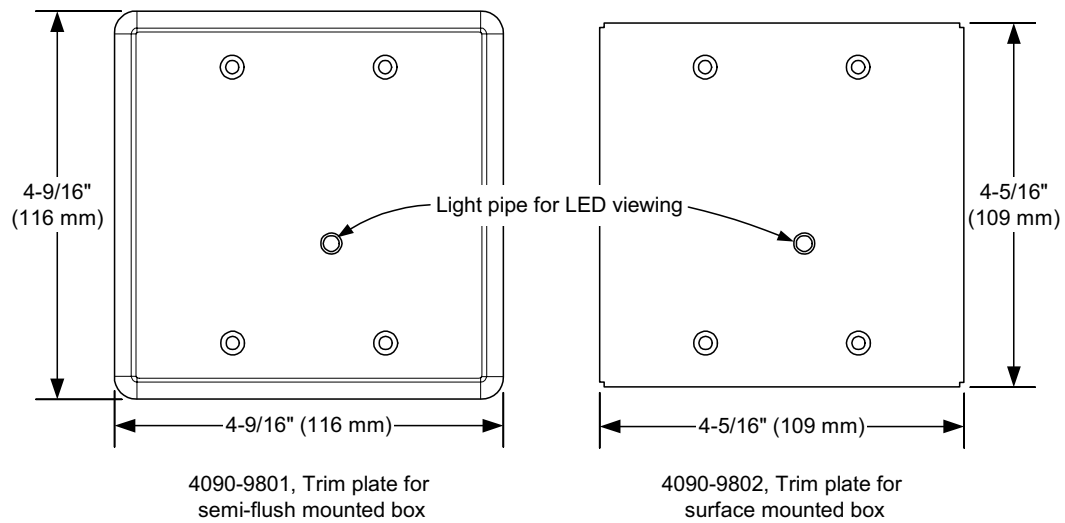
Communications	4010 or 4100U IDNet, 1 address per device
Relay IAM Power	Supplied by IDNet communications
Relay IAM Contacts (Form “C”, SPDT)	
Power-Limited Rating	2 A @ 24 VDC, for transient suppressed loads
	1 A @ 24 VDC for inductive loads
Nonpower-Limited Rating	1/2 A @ 120 VAC, for transient suppressed loads
Wire Connections	Screw terminals for in/out wiring, 18 to 14 AWG wire (0.82 to 2.08 mm ²)
IDNet Wiring Reference	Up to 2500 ft (762 m) from fire alarm control panel
	Up to 10,000 ft (3048 m) total wiring distance (including T-Taps)
	Compatible with Simplex 2081-9044 Overvoltage Protectors
Dimensions	4-1/8” H x 4-1/8” W x 1-3/8” D (105 mm x 105 mm x 35 mm)
Housing Material	Black thermoplastic
Mounting Plate Material	Sheet metal, galvanized
Temperature Range	32° to 120° F (0° to 49° C), intended for indoor operation
Humidity Range	Up to 93% RH at 100° F (38° C)

** IDNet addressable communications are protected by U.S. Patent No. 4,796,025.

Relay IAM Mounting Information



Mounting Reference, Double Gang Blank Cover Plate



Optional Trim Plates for Visible LED

Tyco, Simplex, the Simplex logo, and IDNet are trademarks of Tyco International AG or its affiliates in the U.S. and/or other countries.



TEPG-US • 91 Technology Drive • Westminister, Massachusetts • 01441-0001 • USA

S4090-0002-5 4/02

© 2002 TEPG-US (a Tyco company). All rights reserved. All specifications and other information shown were current as of document revision date and are subject to change without notice.

www.tepg.com