



World Headquarters  
12 Clintonville Rd., Northford, CT 06472-1653 USA  
203-484-7161 • Fax 203-484-7118  
www.notifier.com

## BMP-1 Blank Module Plate

Product Installation Document  
P/N 51008 Rev A 07/20/01  
ECN 01-376

### Introduction

The BMP-1 Blank Module Plate covers unused module positions in an annunciator backbox or in a FACP dress panel such as an ADP-4B or DP-DISP. The BMP-1 may also mount an option module, such as an NCM-W, NCM-F, or TM-4. It includes four stand-offs which allow option modules to mount behind the blank front, on the inside of the cabinet.

**Note:** This dress plate is suitable for modules that do not need to be visible or accessible when the door is closed.

Compatible dress panels and backboxes include:

- Surface-mount backboxes: ABS-1B, ABS-2B, ABS-4D, ABS-1TB
- Flush-mount backboxes: ABF-1B, ABF-2B, ABF-4B
- Semi-flush-mount backboxes: ABF-1DB, ABF-2DB
- Hinged dress panels: ADP-4B, DP-DISP

### Installation

Slide the dress plate's two mounting holes over the backbox screws above and below the slot to be covered. Attach the dress plate with hex nuts provided.

### Optional Module Installation

Four standoffs and four screws ship with modules that can be mounted to the back of the dress plate. Attach a standoff to each of the screwstuds on the dress plate, align the module's mounting holes on these standoffs, and screw down securely.

**Note:** Use all mounting holes so that the module is properly grounded.

**Note:** Modules cannot be mounted in the ADP-4B Dress Panel when a front slot of the CHS-4 or CHS-M2 is occupied, or when either of the two front right positions of the CHS-M2 is occupied. Always be certain there is enough clearance to close the cabinet door when this installation is used.

If using a surface-mount or flush-mount backbox, continue to assemble the backbox as indicated in assembly documentation.

Mount single-space blank plate onto compatible dress panel or backbox trim ring

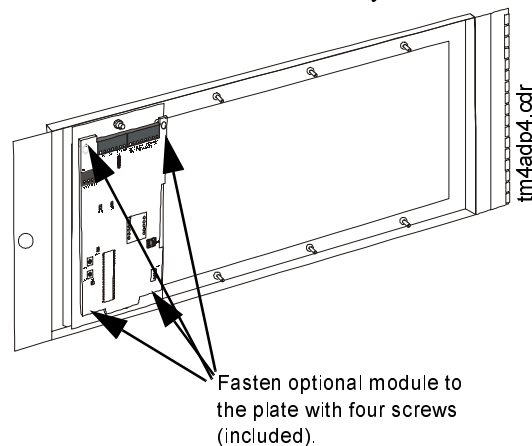
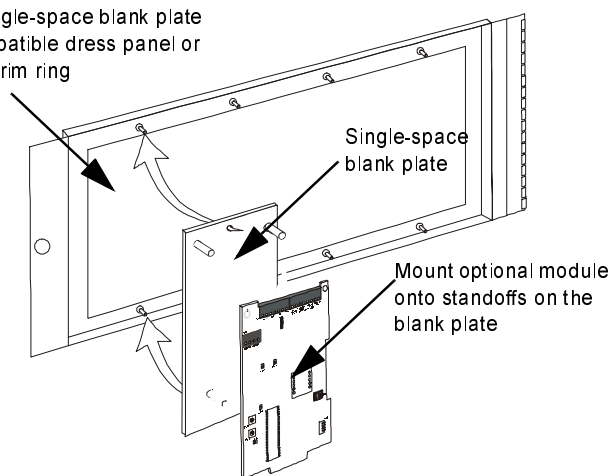


Figure 1 Mounting a Single-space Blank Plate onto the Dress Panel with Optional Module