

LIGHT

IP65-67 JUNCTION BOXES

Description: IP65-67 WATERTIGHT JUNCTION BOX 108x108x64 WITH PLAIN SIDES

Reference:
EL111

Characteristics:

| | |
|--|--|
| Product type: | Watertight junction boxes with opaque cover and plain sides |
| Exterior dimensions (Height x Width x Depth): | 108x108x64 mm |
| Dimensions of the flush-fit gap (HxWxD): | - |
| Number of modules: | - |
| Installation: | Surface |
| Color: | Grey RAL 7035 |
| Window: | Opaque cover |
| Weight (Kg): | 0,14 |
| Cable entry: | - |
| Components: | - |
| Materials: | Halogen-free plastic materials. Base and cover: Shock-proof PS |

Technical data:

| | |
|-----------------------------------|-----------------------|
| Degree of protection: | IP65-IP67 |
| Resistance to impact: | IK07 |
| Glow wire resistance: | 650 °C |
| Ball pressure test: | 70 °C |
| Ambient temperature range: | -25 °C / +40 °C |
| Maximum operating voltage: | 1000 V AC / 1500 V DC |
| Double insulation: | Class II |

Certificates and standards:

| | |
|----------------------|---------------|
| Directive: | 2014/35/EU |
| Standards: | IEC 60998-2-5 |
| Certificates: | |



Codes:

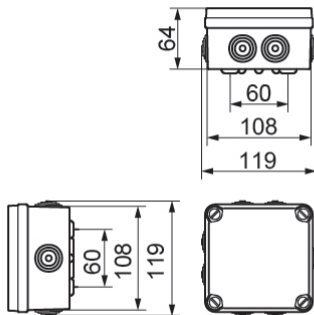
| | |
|-------------------------------|---------------|
| EAN: | 8431044185002 |
| Customs tariff number: | 85.38.10.00 |
| ETIM 6.0: | EC000113 |

LIGHT

IP65-67 JUNCTION BOXES

Description: IP65-67 WATERTIGHT JUNCTION BOX 108x108x64 WITH PLAIN SIDES


Reference: EL111



Detailed drawing:

 <http://www.ide.es/downloads/planos/pdf/EL111.pdf>

 <http://www.ide.es/downloads/planos/dxf/EL111.dxf>

 <http://www.ide.es/downloads/planos/stp/EL111.stp>

Exterior dimensions (Height x Width x Depth):

108x108x64 mm

Dimensions of the flush-fit gap (Height x Width x Depth):

-

Sustainability:

RoHS - REACH

Supply:

The boxes are supplied individually, shrink-wrapped and in multiple cardboard packaging, according to minimum packaging units.

Packaging units: 88

Product end of life:

It does not require specific recycling operations.

Recommended applications:

Industrial and outdoor environments. Industrial sites, docks, swimming pools, garages, anywhere that requires a high degree of protection against dust, splashes and impacts.