

DH-IPC-PFW8601-A180

3x2MP Multi-Sensor Panoramic Network IR Bullet Camera



- Three 1/2.8" 2Megapixel progressive scan STARVIS™ CMOS
- H.265/H.264 triple-stream encoding
- Max 25/30fps@4096x832
- Support 180-degree panoramic view
- Day/Night(ICR), 3DNR, AWB, AGC, BLC,WDR
- Smart detection
- Intelligent Function
- Max. IR LEDs length 30m
- Micro SD memory, IP67, IK10,PoE+



System Overview

The multi-sensor camera provides added flexibility for capturing wide area video surveillance. With three 2MP sensors working in tandem to create a comprehensive 180-degree overview, the camera can replace multiple single-sensor cameras providing a higher return on investment. The multi-sensor camera features contrast, backlight compensation, white balance, and resolution control to create a crystal-clear image even in the most challenging lighting conditions.

Functions

True Day/Night

A day/night mechanical IR cut filter makes this camera ideal for applications with fluctuating lighting conditions, delivering color images during the day and automatically switching to monochrome as the scene darkens.

Starlight Technology

Featured with Dahua Starlight Technology, the camera is ideal for applications with challenging light conditions. Its low light performance delivers usable video with minimal ambient light. Even in extreme low light conditions, Starlight Technology is capable of delivering color images in nearly complete darkness.

Wide Dynamic Range

Embedded with industry leading wide dynamic range (WDR) technology, vivid pictures are achieved even in the most intense contrast lighting conditions. For applications with both bright and low lighting conditions that change quickly, True WDR (120dB) optimizes both the bright and dark areas of a scene at the same time to provide usable video.

Intelligent Video System (IVS)

Dahua camera is equipped with a built-in intelligent analytic algorithm based on video, which can realize intelligent functions like Tripwire, Intrusion, Abandoned, Missing and so on, to quickly and accurately respond to monitoring events in specific area. It can enhance monitoring efficiency. In addition, the camera supports intelligent tamper detection,

which is to generate warning message via detecting dramatic scene change and to guarantee effective video surveillance.

Smart IR

With IR illumination, detailed images can be captured in low light or total darkness. The camera's Smart IR technology adjusts the intensity of camera's infrared LEDs to compensate the distance of an object. Smart IR technology prevents IR LEDs from whitening out images as they come closer to the camera. The camera's integrated infrared illumination provides high performance in extreme low-light environments up to 30m (98ft).

Protection (IP67, IK10, wide voltage)

Supporting $\pm 25\%$ input voltage tolerance, this camera suits even the most unstable conditions for outdoor applications. Its 6KV lightning rating provides effective protection for both the camera and its structure against lightning. IP67 is supported by the camera, which makes it suitable for both indoor and outdoor environments. IK10 compliance enables the camera to sustain the equivalent of 55 kg (120lbs) force.

Environmental

Standard Dahua camera can function from -30°C to $+60^{\circ}\text{C}$ (-22°F to $+140^{\circ}\text{F}$) with 95% humidity, meanwhile some models support heater module optional which allows the camera to function from -40°C to $+60^{\circ}\text{C}$ (-40°F to $+140^{\circ}\text{F}$). With a temperature range of -40°C to $+60^{\circ}\text{C}$, the camera is designed for extreme temperature environments.

Technical Specification

Camera

Image Sensor	Three 1/2.8" 2Megapixel progressive scan CMOS
Effective Pixels	4096(H)x832(V)
RAM/ROM	1024MB/128MB
Scanning System	Progressive
Electronic Shutter Speed	Auto/Manual, 1/3~1/100000s
Minimum Illumination	0.007Lux/F1.8(Color,1/3s,30IRE) 0.05Lux/F1.8(Color,1/30s,30IRE) 0Lux/F1.8(IR on)
S/N Ratio	More than 50dB
IR Distance	Distance up to 30m(98ft)
IR On/Off Control	Auto/ Manual
IR LEDs	8

Lens

Lens Type	Fixed			
Mount Type	Board-in			
Focal Length	3.6mm			
Max. Aperture	F1.8			
Angle of View	H: 180°, V:44°			
Optical Zoom	N/A			
Focus Control	Fixed			
Close Focus Distance	N/A			
DORI Distance	Detect	Observe	Recognize	Identify
	52m(171ft)	21m(69ft)	10m(33ft)	5m(16ft)

Pan/Tilt/Rotation

Pan/Tilt/Rotation Range	Pan:0°~360°; Tilt:0°~90°; Rotation:0°~360°
-------------------------	--

Intelligence

IVS	Tripwire, Intrusion, Object Abandoned/Missing
Advanced Intelligent Functions	Heat Map, E-PTZ

Video

Compression	H.265+/H.265/H.264+/H.264
Streaming Capability	3 Streams
Resolution	4096x832/3840x780/2560x520/ 1280x260/1024X208
Frame Rate	Main Stream: 4096x832(1~25/30fps)
	Sub Stream: 1024X208 (1 ~ 25/30fps)
	Third Stream: 1280x260 (1 ~ 25/30fps)
Bit Rate Control	CBR/VBR
Bit Rate	H.265: 4Kbps~ 10Mbps H.264: 8Kbps~ 16Mbps

Day/Night	Auto(ICR) / Color / B/W
BLC Mode	BLC / HLC / WDR(120dB)
White Balance	Auto/Natural/Street Lamp/Outdoor/Manual
Gain Control	Auto/Manual
Noise Reduction	3D DNR
Motion Detetion	Off / On (4 Zone, Rectangle)
Region of Interest	Off / On (4 Zone)
Electronic Image Stabilization(EIS)	N/A
Smart IR	Support
Defog	N/A
Digital Zoom	16x
Flip	N/A
Mirror	N/A
Privacy Masking	Off / On (4 Area, Rectangle)

Audio

Compression	G.711a/G.711Mu/AAC/ G.726
-------------	---------------------------

Network

Ethernet	RJ-45 (100/1000Base-T)
Protocol	HTTP;HTTPS;TCP;ARP;RTSP;RTP;UDP;SMTP;FTP;DHCP;DNS;DDNS;PPPOE;IPv4/v6;QoS;UPnP;NTP;Bonjour;802.1x;Multicast;ICMP;IGMP;SNMP
Interoperability	ONVIF, PSIA, CGI
Streaming Method	Unicast / Multicast
Max. User Access	10 Users/20 Users
Edge Storage	NAS Local PC for instant recording Mirco SD card 128GB
Web Viewer	IE, Chrome, Firefox, Safari
Management Software	Smart PSS, DSS, Easy4ip
Smart Phone	IOS, Android

Certifications

Certifications	CE (EN 60950:2000) UL:UL60950-1 FCC: FCC Part 15 Subpart B
----------------	--

Interface

Video Interface	1 Port(For adjustment only)
Audio Interface	1/1 channel In/Out
RS485	N/A
Alarm	2 channel In: 5mA 5VDC 1 channel Out: 1A 30VDC / 0.5A 50VAC

Electrical

Power Supply	AC24V, PoE+ (802.3at)(Class 4)
Power Consumption	<23W

Environmental

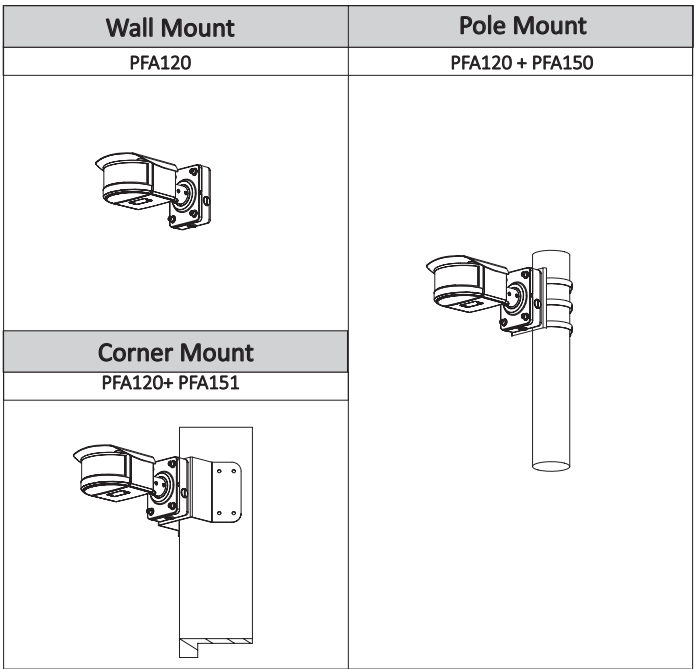
Operating Conditions	-40° C ~ +60° C (-40° F ~ +140° F) / Less than 95% RH
Storage Conditions	-40° C ~ +60° C (-40° F ~ +140° F) / Less than 95% RH
Ingress Protection	IP67
Vandal Resistance	IK10

Construction

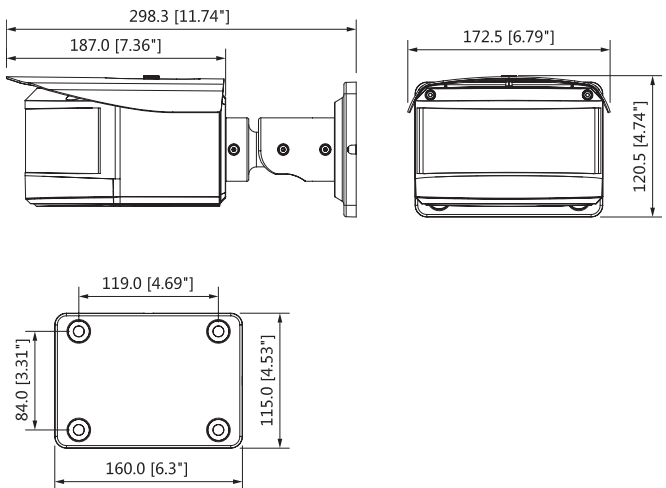
Casing	Metal
Dimensions	298.3mm×172.5mm×120.5mm (11.74"×6.79"×4.74")
Net Weight	2.60kg(5.73lb)
Gross Weight	3.41 kg(7.52lb)

Ordering Information

Type	Part Number	Description
3x2MP camera	DH-IPC-PFW8601P-A180	3x2MP Multi-Sensor Panoramic Network IR Bullet Camera,WDR, PAL
	DH-IPC-PFW8601N-A180	3x2MP Multi-Sensor Panoramic Network IR Bullet Camera,WDR,NTSC
	IPC-PFW8601P-A180	3x2MP Multi-Sensor Panoramic Network IR Bullet Camera,WDR, PAL
	IPC-PFW8601N-A180	3x2MP Multi-Sensor Panoramic Network IR Bullet Camera,WDR,NTSC
Accessories (optional)	PFA120	Junction Box
	PFA120+PFA150	Pole mount
	PFA120+PFA151	Corner mount



Dimensions (mm/inch)



Accessories

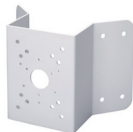
Optional:



PFA120
Junction Box



PFA150
Pole mount



PFA151
Corner mount