



Ultraloq UL3

Fingerprint and Touchscreen
Smart Lock

Installation Instructions



ultraloka

Installation Video

Please watch our easy step by step installation video before attempting to install your UltraLoq UL3 Fingerprint and Touchscreen Smart Lock.



www.u-tec.com/support

If you have any questions regarding the installation process please contact us at customerservice@u-tec.com

Important Notes

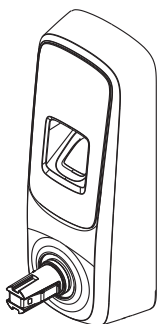
- DO NOT use a power drill for installation!
- Install and test lock with door open to avoid being locked out.
- Please read all the instructions before contacting customer support.
- Please contact customer support before returning the product to the store.
- DO NOT install the batteries before installing the lock! Follow the instructions in order!
- If you have previously installed this lock on another door, you must perform a Factory Default Reset FIRST! See the User Guide for more information.
- This lock is designed for the following operating temperatures:
 - Outside Lock Body (exterior mounted): -31°F (-35°C) to 158°F (70°C)
 - Inside Lock Body (interior mounted): 14°F (-10°C) to 131°F (55°C)

Need Help?

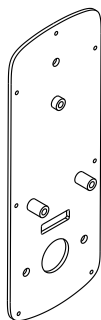
For technical documents and more,
visit www.u-tec.com/support
Tel: 844-HEY-UTEC (844-439-8832)
Email: customerservice@u-tec.com

Included in the box

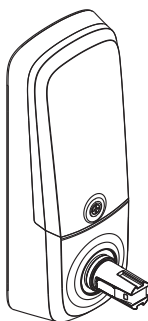
Exterior
Assembly



Interior
Mounting Plate



Interior
Assembly



Strike



Latch



Backup Keys



Strike
Screws

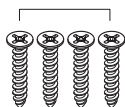
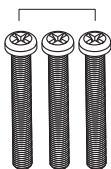
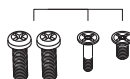


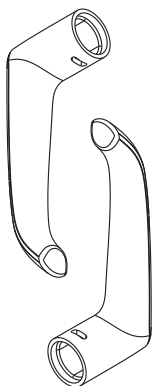
Plate
Screws



Set
Screws



Handle



Spindle



Drill



Screwdriver



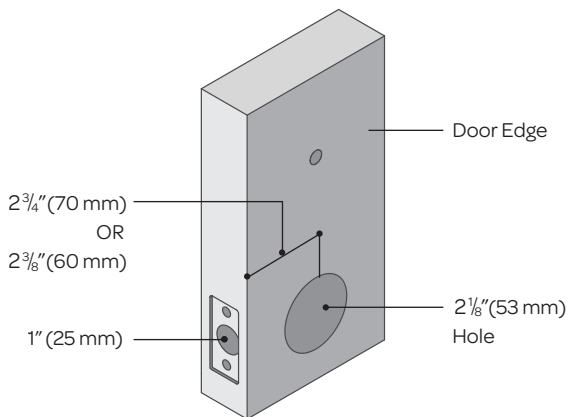
AA Batteries



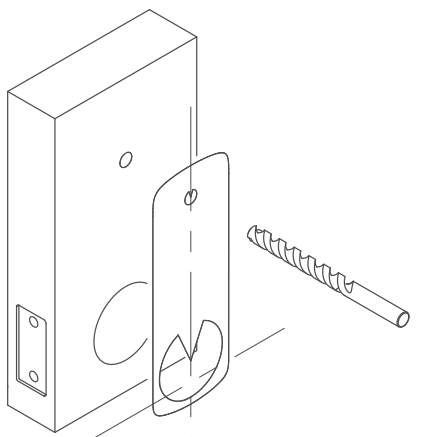
1

Preparing Door

Check door dimensions



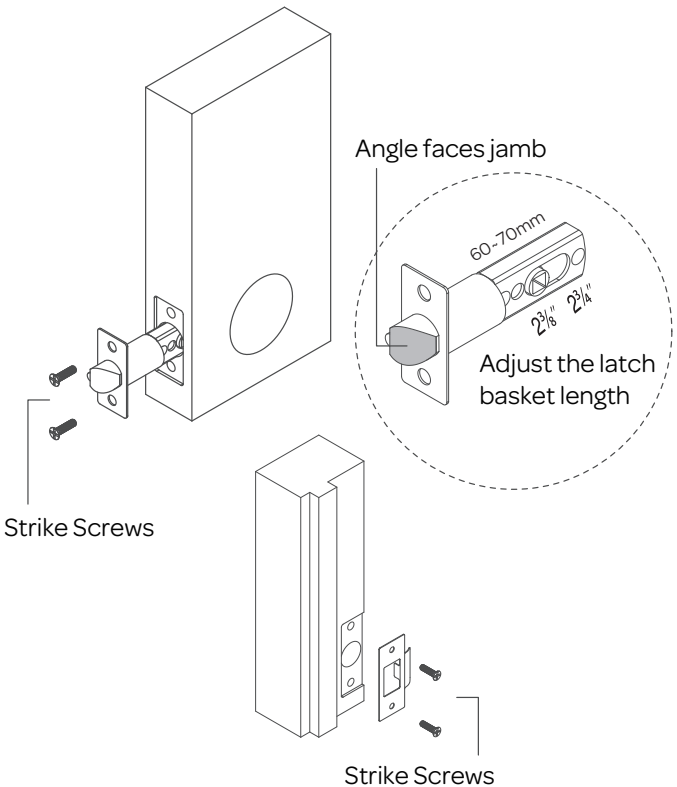
Drill a hole on the door



Use Drill Template provided in the box.

Installing Latch and Strike

1. Install latch in door. Make sure latch angle faces door jamb.
2. Install strike on the door frame, making sure to allow for the bolt to be centered in the strike.



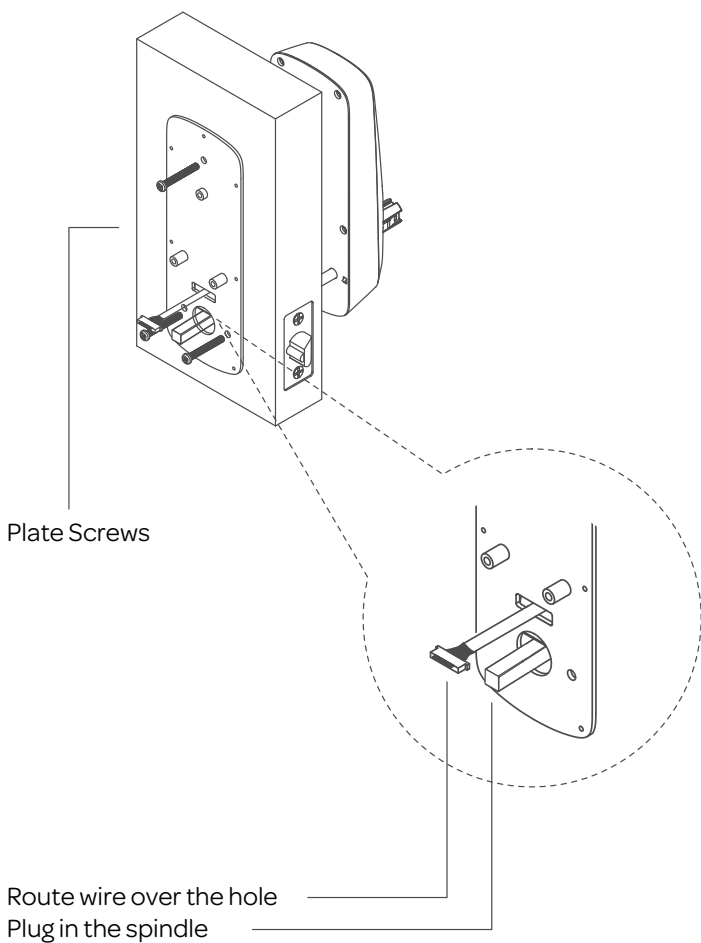
Before installing the lock on the door

1. Loosen the screw holding the battery cover.
2. Slide the battery cover up and out (note the two tabs at bottom of battery cover).
3. Remove the inside mounting plate (with gasket) from the back (door side) of the interior assembly.

3

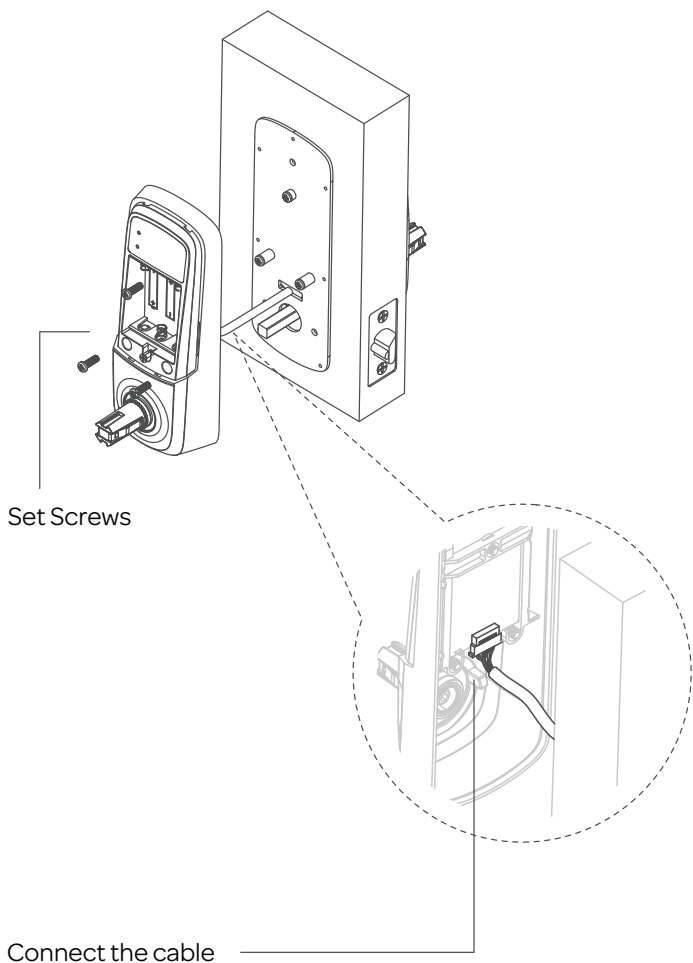
Installing Exterior Assembly and Interior Mounting Plate

1. Install the exterior assembly. Route cable under bolt and through hole indicated below.
2. Install interior mounting plate. Secure it with exterior assembly using screws.
3. Plug in spindle.



Installing Interior Assembly

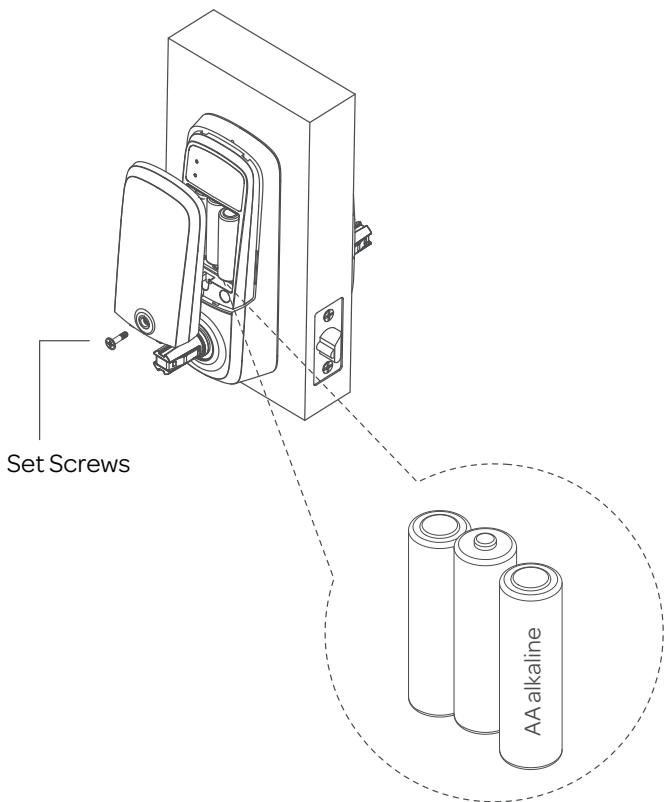
1. Attach cable to the interior assembly printed circuit board (PCB) by lining up notches on cable connector to slots on PCB connector. Press connector in firmly using thumbs until completely seated.
2. Secure interior assembly using screws.



5

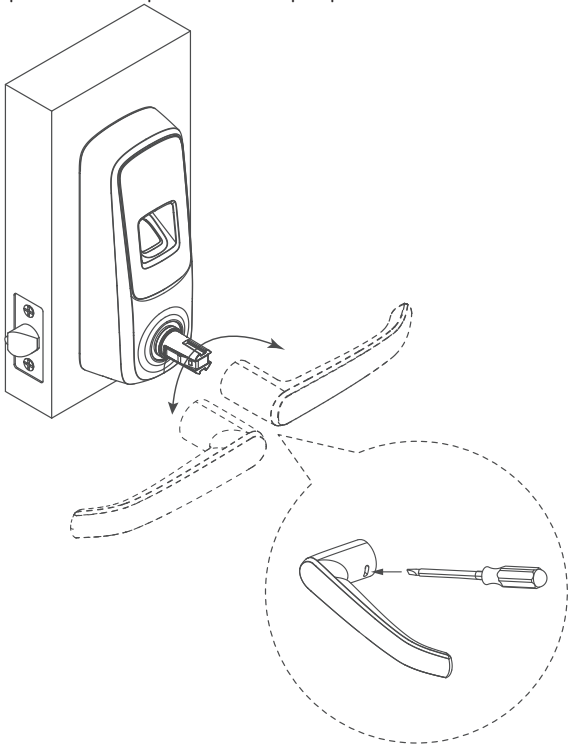
Installing Batteries

1. Insert three (3) AA alkaline batteries.
2. Install battery cover and tighten screw.



Installing Handles

1. Press lever handles onto handle posts.
2. Test the mechanical operation of the lock by rotating handle from inside. The movement of the bolt should be smooth and unobstructed. If operation is not smooth, review the previous steps to ensure proper installation.



If the handles are installed in wrong direction, you need to remove them and re-install.

To remove the handle, you need to insert the screw driver into the hole in the handle, push in and hold. Then pull the lever handle out.

Congratulations!

You have installed the Ultraloq UL3

Fingerprint and Touchscreen Smart Lock successfully.



ultralq

U-tec and Ultraloq brands and products are
trademarked and protected under law in the United
States. Unauthorized use is prohibited.

Ultraloq is sub-brand of U-tec Group Inc.

2015 © U-tec Group Inc. All Rights Reserved.

Note

Date / /

Note

Date / /
