



# Battery Powered Photoelectric Smoke Alarm

Model P9050 (previously PE9/PE9E)

**One Button Design**  
Operates Hush™ and Test

**Red LED**  
Flashes every 30-40 seconds to indicate that the smoke alarm is operating

**Photoelectric Sensor**  
Advanced photoelectric sensor may detect visible particles (associated with smoldering fires) sooner than ionization alarms



## Description

The Kidde P9050 is a battery operated smoke alarm, equipped with a photoelectric sensor, designed to alert you and your family to the dangers of smoke and fire.

The P9050 includes a 9V battery, providing you protection even during a power failure. This unit is UL Listed and offers a 10-year limited warranty.

This alarm uses photoelectric sensing technology. Photoelectric sensing alarms may detect visible particles (associated with smoldering fires) sooner than ionization alarms. Ionization sensing alarms may detect invisible fire particles (associated with flaming fires) sooner than photoelectric alarms.

*Kidde strongly recommends that both ionization and photoelectric smoke alarms be installed to help insure maximum detection of the various types of fire that can occur within the home.*

The Kidde P9050 photoelectric smoke alarm is battery operated protecting you and your family even during power outages. This unit does not require any wiring and can be installed in minutes. The P9050 is equipped with a test button that allows you to test the alarm's electronic circuitry, horn and battery function.

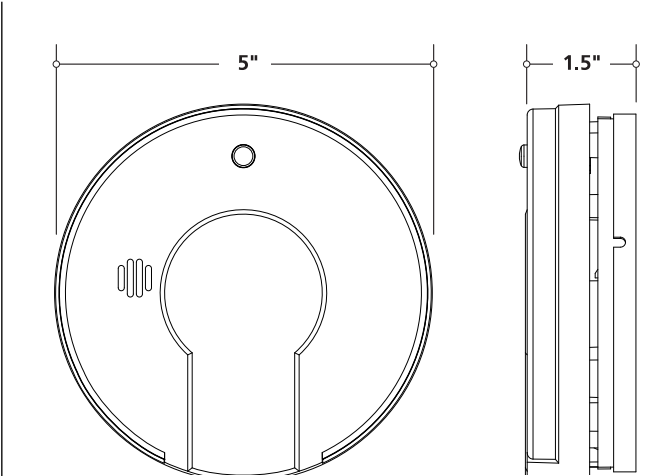
## Features and Benefits

- **Photoelectric Sensor** – Advanced photoelectric sensor may detect visible particles (associated with smoldering fires) sooner than ionization alarms
- **Test Button** – Tests unit's electronic circuitry, horn and battery function.
- **Battery Operated (9V Battery Included)** – Protects even during a power outage.
- **Low Battery Indicator** – Smoke alarm will chirp in the event of a low battery.
- **Tamper Resist Locking Pin** – Helps deter alarm tampering or theft.



### Technical Specifications

UPC:	0-47871-40378-3
Power Source:	9V Battery (included)
Audio Alarm:	85dB at 10ft
Temperature Range:	40°F to 100°F (4°C to 38°C)
Humidity Range:	5%-95% relative humidity (RH)
Sensor:	Photoelectric
Size:	5" in diameter x 1.5" depth
Weight:	.8lbs
Interconnects:	No
LED:	Red, normal operation
Warranty:	10 year limited



### Ordering Information

Clamshell UPC: 0-47871-40378-3

Part Number	Configuration	I 2 of 5	Pack Quantity	Dimensions (w x d x h inches)	Package Weight	Case/Skid
PE9E	Box	20025417165092	12	10.7 x 11 x 5.3	8 lbs	96
21007123	Clamshell	40047871403781	8	7.9 x 18.10 x 11.6	5.75 lbs	288
21007304	Clamshell	50047871403788	24	16.75 x 21.75 x 43	24 lbs	96
44037802	Clamshell	10047871403780	3	7.75 x 6 x 11.75	4 lbs	129

*\*\*Not for sale by individual unit*



1016 Corporate Park Drive  
 Mebane NC 27302  
 1-800-880-6788  
 www.kidde.com

**Distributed by:**