

DHI-ARD1231-W

Wireless PIR



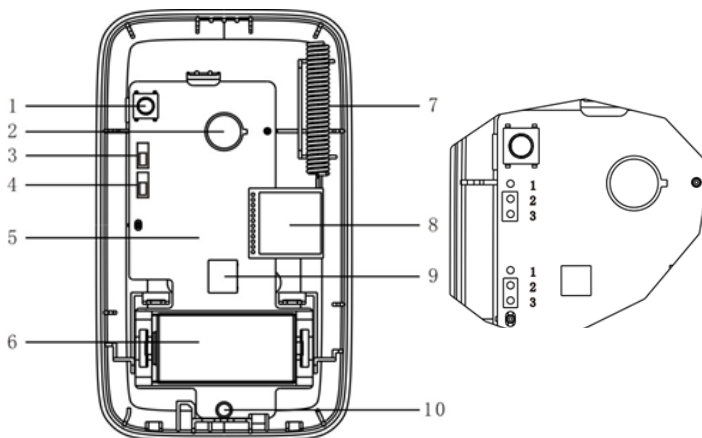
Features

- 12m/90° detecting range/angle
- Pet immunity 18kg
- Bi-directional communication
- Transmission range up to 700m open space
- Built-in tamper switch
- Wall mount, 2.2~2.5m installation height
- Two level (sensitivity)
- 3 years battery life
- ABS plastic

Technical Specification

| | |
|---------------------------|---|
| Name | Wireless passive infrared sensor |
| Detection | Passive infrared |
| Detection Range | 12m×12m, 90° |
| Alarm prompt | Red led, can be set to switch off |
| Sensitivity | Two level (jumper) |
| Wireless Frequency | 433MHz |
| Transmit power | 10dBm |
| Transmit distance | 700m open area/no interference |
| Pet immunity | ≤18Kg |
| Resistance light | 6500LUX |
| Working environment | -10°C~+50°C, humidity <95° |
| Overall dimensions/weight | 105mm×62mm×41.3mm/0.1kg |
| Tamper | Unit protection and leaving-wall protection |
| Power | 1xCR123A battery, 3V 50mA |
| Installation height | Wall mount, 2.2-2.5m |

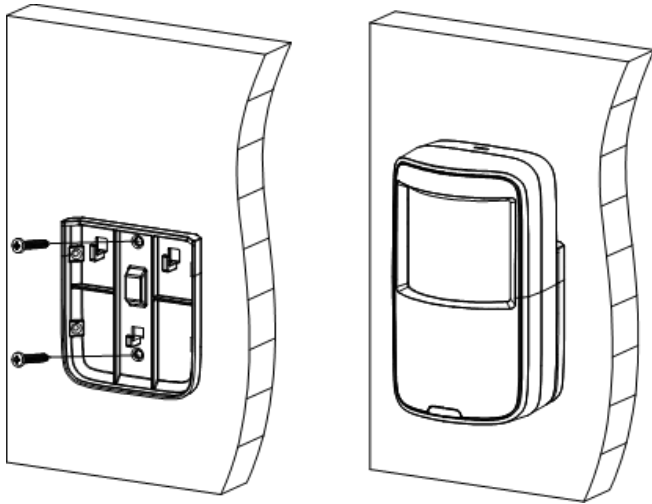
Product Appearance



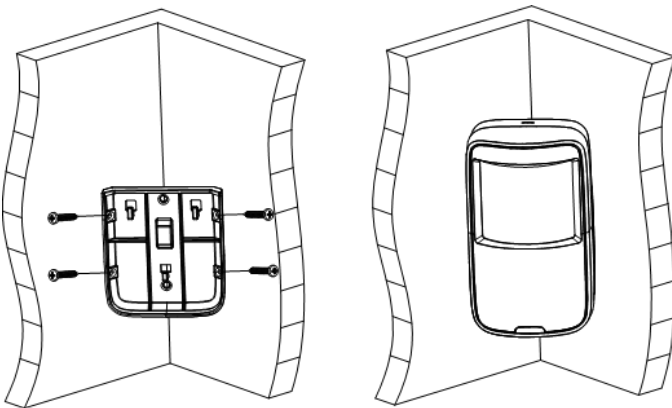
| | |
|----|------------------------------------|
| 1 | Case vandal-proof switch |
| 2 | Pyroelectric infrared detector |
| 3 | Sensitivity adjustment plunger pin |
| 4 | LED plunger pin |
| 5 | Motherboard PCB |
| 6 | Lithium battery |
| 7 | Antenna |
| 8 | Wireless module |
| 9 | Wall vandal-proof switch |
| 10 | LED |

Installation

Wall mount



Corner Wall mount



Range of Detection

Detection range of the detector is shown in Figure 1-1. Horizontal angle of detection is 90°.

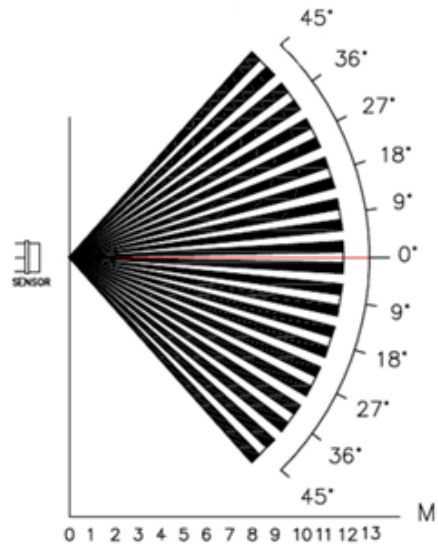


Figure 1- 1

Range of detector is shown in Figure 1- 2. Detection distance is 12m, and the closest distance is 1m.

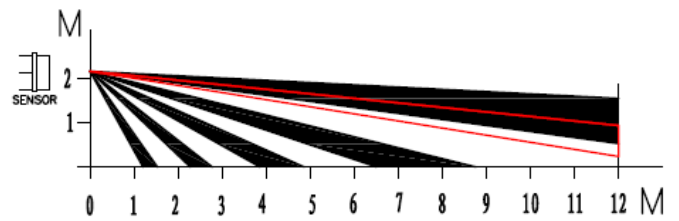


Figure 1- 2