

# Addressable Sounder Strobe

User's Manual

V1.0.0

## ZHEJIANG HUAXIAO TECHNOLOGY CO.,LTD.

Address: Area A, Floor 3, Building C, No.28 Dongqiao Road, Dongzhou Sub-district, Fuyang District, Hangzhou City, Zhejiang Province, China  
 Website: www.wisualarm.com/en/home

## Foreword

### General

This manual introduces the functions and operations of the Addressable Sounder Strobe (hereinafter referred to as "the Device").

### Safety Instructions

The following categorized signal words with defined meaning might appear in the manual.

Signal Words	Meaning
<b>DANGER</b>	Indicates a high potential hazard which, if not avoided, will result in death or serious injury.
<b>WARNING</b>	Indicates a medium or low potential hazard which, if not avoided, could result in slight or moderate injury.
<b>CAUTION</b>	Indicates a potential risk which, if not avoided, could result in property damage, data loss, lower performance, or unpredictable result.
<b>TIPS</b>	Provides methods to help you solve a problem or save you time.
<b>NOTE</b>	Provides additional information as the emphasis and supplement to the text.

### About the Manual

- The manual is for reference only. If there is inconsistency between the manual and the actual product, the actual product shall prevail.
- We are not liable for any loss caused by the operations that do not comply with the manual.
- The manual would be updated according to the latest laws and regulations of related jurisdictions. For detailed information, refer to the paper manual, CD-ROM, QR code or our official website. If there is inconsistency between paper manual and the electronic version, the electronic version shall prevail.
- All the designs and software are subject to change without prior written notice. The product updates might cause some differences

between the actual product and the manual. Please contact the customer service for the latest program and supplementary documentation.

- There still might be deviation in technical data, functions and operations description, or errors in print. If there is any doubt or dispute, we reserve the right of final explanation.
- Upgrade the reader software or try other mainstream reader software if the manual (in PDF format) cannot be opened.
- All trademarks, registered trademarks and the company names in the manual are the properties of their respective owners.
- Please visit our website, contact the supplier or customer service if there is any problem occurring when using the device.
- If there is any uncertainty or controversy, we reserve the right of final explanation.

## Important Safeguards and Warnings

This section introduces content covering the proper handling of the device, hazard prevention, and prevention of property damage. Read carefully before using the device, comply with the guidelines when using it, and keep the manual safe for future reference.

### Operation Requirements



- Make sure that the power supply of the device works properly before use.
- Transport, use and store the device under allowed humidity and temperature conditions.
- Prevent liquids from splashing or dripping on the device. Make sure that there are no objects filled with liquid on top of the device to avoid liquids flowing into it.
- Do not disassemble the device.

### Installation Requirements



- WARNING** Strictly abide by local electrical safety standards, and make sure that the voltage in the area is steady and conforms to the power requirements of the device.
- Do not connect the device to more than one power supply. Otherwise, the device might become damaged.



- Observe all safety procedures and wear required protective equipment provided for your use while working at heights.
- Do not expose the device to direct sunlight or heat sources.
- Do not install the device in humid, dusty or smoky places.
- Install the device in a well-ventilated place, and do not block the ventilator of the device.

### Maintenance Requirements



- Use the accessories suggested by the manufacturer. Installation and maintenance must be performed by qualified professionals.
- Clean the device with a soft dry cloth or a clean soft cloth dipped in neutral detergent.
- Contact your local dealer or the service center nearest to you if the device needs internal configuration or maintenance. Do not dismantle or modify the device without a qualified professional present to avoid the risk of danger or damage to the device. We will assume no responsibility for any problems caused by unauthorized modifications or maintenance.

## 1 Product Information

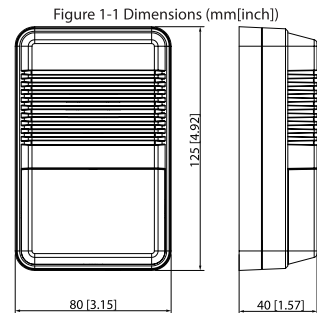
### 1.1 Introduction

DHI-HY-1500 Addressable Sounder Strobe is a mated product of the Addressable Fire Alarm Control Panel, sending out an audible and light alarm signal to remind people on the scene of the accident when fire occurs. It receives activation commands from the Addressable Fire Alarm Control Panel and generates its sound output accordingly. It is suitable for residential and industrial buildings such as hotels, shopping malls, hospitals, office buildings, schools, banks, libraries, factories, and warehouses.

### 1.2 Features

- Convenient wiring: Two-wire, polarity-free
- Reliable communication: Built-in microprocessor, performance is stable
- Ultra-low power consumption: Ultra-low monitoring current and operating current
- Simple installation: With a plug-in structure, easy to install and construct

### 1.3 Dimensions



## 2 Technical Information

Parameter	Introduction
<b>Electrical</b>	
Working Voltage	DC24V
Current	<ul style="list-style-type: none"> <li>Monitoring current: <math>\leq 120\mu\text{A}</math></li> <li>Maximum operating current: <math>\leq 7\text{mA}</math></li> </ul>
<b>Communication Wiring</b>	
Wiring	Two-wire, polarity-free
Addressing Method	Electrical encoder
Address Range	1-254
Alarm Volume	75 dB-115 dB @ 3 m (A)
Modulation Cycle	4 s-5 s
Flash Rate	1.5Hz-2.0Hz
Communication Distance	1500 m (4921.26 ft)
<b>Environment</b>	
Operating Temperature	-10°C to +55°C (+14°F to +131°F)
Storage Temperature	-20°C to +65°C (-4°F to +149°F)
Operating Humidity	$\leq 95\%$ RH (no condensation)
<b>Construction</b>	
Color	<ul style="list-style-type: none"> <li>Shell: Red</li> <li>Lampshade: Clear white</li> </ul>
Dimensions (with base)	125 mm × 80 mm × 40 mm (4.92" × 3.15" × 1.57")
Weight (with base)	118 g (0.26 lb)
Certification	GB 26851-2011

## 3 Device Installation

### 3.1 Packing List

Check the quantity and model. If you find device damage or any loss, contact the after-sales service.

### 3.2 Installation Steps

#### Prerequisites

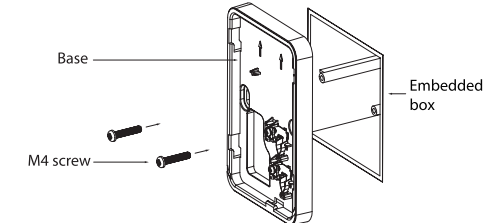
- Determine the location, mounting distance and numbers for mounting the device in the protection area according to relevant provisions and regulations of the GB50166-2007 Code for Installation

- and Acceptance of Fire Alarm System, and connect the device correctly according to the construction drawing.
- Disconnect the power supply of the device before installation.
- Use RV5 twisted pairs with a section area of 1.5 mm<sup>2</sup> or 1.0 mm<sup>2</sup> for the signal buses.
- The insulation resistance between buses should be greater than 20KΩ, and the insulation resistance of the bus to ground should be greater than 20MΩ.

#### Procedure

**Step 1** Use two M4 screws to fix the device base on the embedded box or designated position, and make sure the matched mounting base has been firmly installed.

Figure 3-1 Installation (1)



**Step 2** Wiring the base. Connect terminals and fix on the base.



1, 2: Access terminal for the bus signal, polarity-free.

Figure 3-2 Mounting base

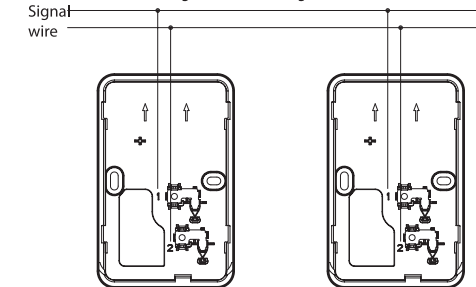
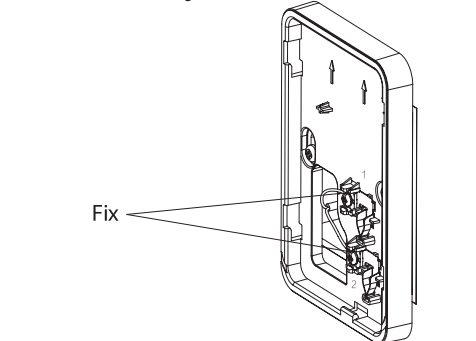


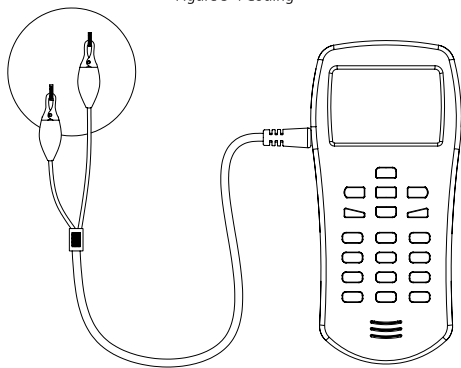
Figure 3-3 Installation (2)



**Step 3** Code address.

- Use a coder to make the device coded according to the device address on the construction drawing.
- Press the number key to enter the address number, and then press "Confirmation" key to write the corresponding address to the device.
- After writing the address successfully, there will be a "Di" tone, and the address will be automatically increased by one.

Figure 3-4 Coding



**Step 4.** Mount the device into the base by aligning them together until it is firmly locked.

Figure 3-5 Installation (3)

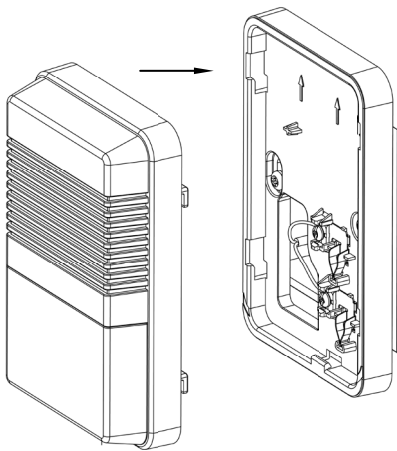
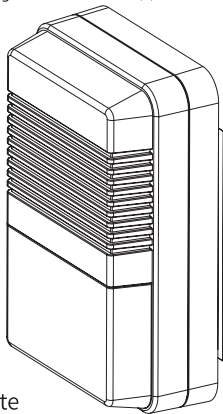


Figure 3-6 Installation (4)



Complete

**Step 5.** After all devices are installed and checked, connect the power supply of the Addressable Fire Alarm Control Panel and conduct automatic register.

## 4 FAQ

Problem	Solutions
The device flashes quickly, and the screen of Fire Alarm Control Panel displays "Add or replace equipment"	While adding or replacing equipment, re-register in the <b>System Debugging</b> menu on the Fire Alarm Control Panel
The device flashes quickly, and the screen of Fire Alarm Control Panel displays "LA repeated equipment information"	Contact technical support for advice and take off the wrong coding device, rewrite the code with the encoder, and re-register after installation
The screen of Fire Alarm Control Panel displays "Registered device is offline"	Check whether the device is installed in place; if it is installed correctly, check the circuit, measure and ensure that the voltage of the equipment signal line is between 16V DC and 28V DC
Start the device on the Fire Alarm Control Panel, the device flashes without beeping	Setting the sound and light alarm mode
Start the device on the Fire Alarm Control Panel, the device beeps without flashing	

## 5 Test and Maintenance

### 5.1 Test

- After installation and register, check the working state of the device.
- Pressing Alarm Button on the Fire Alarm Control Panel, the addressable sounder strobe will operate. Reset the Fire Alarm Control Panel and restore the device to the normal operation.

### 5.2 Maintenance

To keep your device in good working condition, please follow these requirements.

- Simulate alarm test: Test the device once half a year (recommended).
- Before testing or maintaining, inform the proper authorities that the system is undergoing maintenance and will temporarily be put out of service.