

Addressable Input Output Module

User's Manual

V1.0.0

ZHEJIANG HUAXIAO TECHNOLOGY CO.,LTD.

Address: Area A, Floor 3, Building C, No.28 Dongqiao Road, Dongzhou Sub-district, Fuyang District, Hangzhou City, Zhejiang Province, China
 Website: www.wisualarm.com/en/home

Foreword

General

This manual introduces the functions and operations of the Addressable Input / Output Module (hereinafter referred to as "the Device").

Safety Instructions

The following categorized signal words with defined meaning might appear in the manual.

Signal Words	Meaning
DANGER	Indicates a high potential hazard which, if not avoided, will result in death or serious injury.
WARNING	Indicates a medium or low potential hazard which, if not avoided, could result in slight or moderate injury.
CAUTION	Indicates a potential risk which, if not avoided, could result in property damage, data loss, lower performance, or unpredictable result.
TIPS	Provides methods to help you solve a problem or save you time.
NOTE	Provides additional information as the emphasis and supplement to the text.

About the Manual

- The manual is for reference only. If there is inconsistency between the manual and the actual product, the actual product shall prevail.
- We are not liable for any loss caused by the operations that do not comply with the manual.
- The manual would be updated according to the latest laws and regulations of related jurisdictions. For detailed information, refer to the paper manual, CD-ROM, QR code or our official website. If there is inconsistency between paper manual and the electronic version, the electronic version shall prevail.

- All the designs and software are subject to change without prior written notice. The product updates might cause some differences between the actual product and the manual. Please contact the customer service for the latest program and supplementary documentation.
- There still might be deviation in technical data, functions and operations description, or errors in print. If there is any doubt or dispute, we reserve the right of final explanation.
- Upgrade the reader software or try other mainstream reader software if the manual (in PDF format) cannot be opened.
- All trademarks, registered trademarks and the company names in the manual are the properties of their respective owners.
- Please visit our website, contact the supplier or customer service if there is any problem occurring when using the device.
- If there is any uncertainty or controversy, we reserve the right of final explanation.

Important Safeguards and Warnings

This section introduces content covering the proper handling of the device, hazard prevention, and prevention of property damage. Read carefully before using the device, comply with the guidelines when using it, and keep the manual safe for future reference.

Operation Requirements



- Make sure that the power supply of the device works properly before use.
- Transport, use and store the device under allowed humidity and temperature conditions.
- Prevent liquids from splashing or dripping on the device. Make sure that there are no objects filled with liquid on top of the device to avoid liquids flowing into it.
- Do not disassemble the device.

Installation Requirements



WARNING

- Strictly abide by local electrical safety standards, and make sure that the voltage in the area is steady and conforms to the power requirements of the device.
- Do not connect the device to more than one power supply. Otherwise, the device might become damaged.
- Observe all safety procedures and wear required protective equipment provided for your use while working at heights.
- Do not expose the device to direct sunlight or heat sources.
- Do not install the device in humid, dusty or smoky places.
- Install the device in a well-ventilated place, and do not block the ventilator of the device.

Maintenance Requirements



- Use the accessories suggested by the manufacturer. Installation and maintenance must be performed by qualified professionals.
- Clean the device with a soft dry cloth or a clean soft cloth dipped in neutral detergent.
- Contact your local dealer or the service center nearest to you if the device needs internal configuration or maintenance. Do not dismantle or modify the device without a qualified professional present to avoid the risk of danger or damage to the device. We will assume no responsibility for any problems caused by unauthorized modifications or maintenance.

1 Product Information

1.1 Introduction

DHI-HY-1410C Addressable Input / Output Module is a mated product of the Addressable Fire Alarm Control Panel, regulating the normal operation of external fire protection device. It can realize an output control for fire linkage equipment and receive the feedback signals of the fire linkage equipment to monitor the normal operation of the fire linkage equipment. It can be connected with fire dampers, smoke exhaust vents, air supply vents, 24V shunt auxiliary release and other

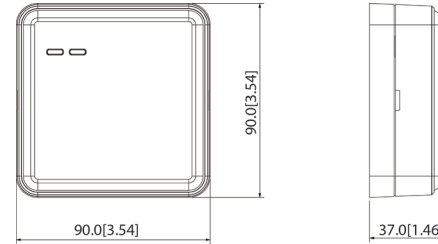
fire-fighting equipment that can be activated by pulse control.

1.2 Features

- Convenient wiring: Two-wire, polarity-free
- Reliable communication: Built-in microprocessor, stable performance
- Ultra-low power consumption: Ultra-low monitoring current and alarm current
- Simple installation: With a plug-in structure, easy to install and construct

1.3 Dimensions

Figure 1-1 Dimension [mm (inch)]



2 Technical Information

Parameter	Introduction
Electrical	
Working Voltage	24V DC
Current	<ul style="list-style-type: none"> Monitoring current: $\leq 150\mu\text{A}$ Operating current: $\leq 250\mu\text{A}$
Capacity of the Output Contact	24V/2A/25ms
Indicator	<ul style="list-style-type: none"> Input indicator: Red LED flashes once every 6 seconds, and flashes once every 2 seconds when malfunctioned, remains lit after receiving feedback Output indicator: Red LED is constantly off when works normally, and flashes once every 2 seconds when malfunctioned, remains lit after receiving start signal
Communication Wiring	
Wiring	Two-wire, polarity-free
Addressing Method	Electrical encoder
Address Range	1-254
Communication Distance	$\leq 1500\text{ m}$
Environment	
Operating Temperature	-10°C to $+55^{\circ}\text{C}$ ($+14^{\circ}\text{F}$ to $+131^{\circ}\text{F}$)
Storage Temperature	-20°C to $+65^{\circ}\text{C}$ (-4°F to $+149^{\circ}\text{F}$)
Operating Humidity	$\leq 95\% \text{ RH}$ (no condensation)
Construction	
Color	White
Dimensions (with base)	$\Phi 90\text{ mm} \times 90\text{ mm} \times 37\text{ mm}$ ($\Phi 3.54" \times 3.54" \times 1.46"$)
Weight (with base)	127 g (0.28 lb)
Certification	GB16806-2006

3 Device Installation

3.1 Packing List

Check the quantity and model. If you find device damage or any loss, contact the after-sales service.

3.2 Installation Steps

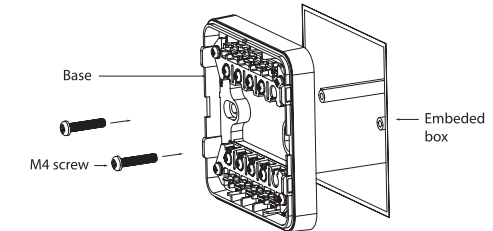
Prerequisites

- Determine the location, mounting distance and numbers for mounting the device in the protection area according to relevant provisions and regulations of the GB50166-2007 Code for Installation and Acceptance of Fire Alarm System, and connect the device correctly according to the construction drawing.
- Disconnect the power supply of the device before installation.
- The insulation resistance between buses should be greater than $20\text{K}\Omega$, and the insulation resistance of the bus to ground should be greater than $20\text{M}\Omega$.
- Use RVS twisted pairs with a section area of 1.5 mm^2 or 1.0 mm^2 for the signal buses.

Procedure

Step 1 Use two M4 screws to fix the device base on the embedded box or designated position, and make sure the matched mounting base has been firmly installed.

Figure 3-1 Installation (1)



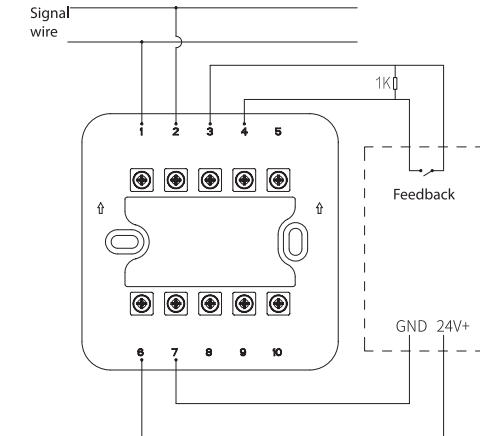
Step 2 Wiring the base. Connect terminals and fix on the base.

There are two wiring methods: Normally open input and normally closed input. The former is adopted by default. Please choose the corresponding wiring method according to realities.

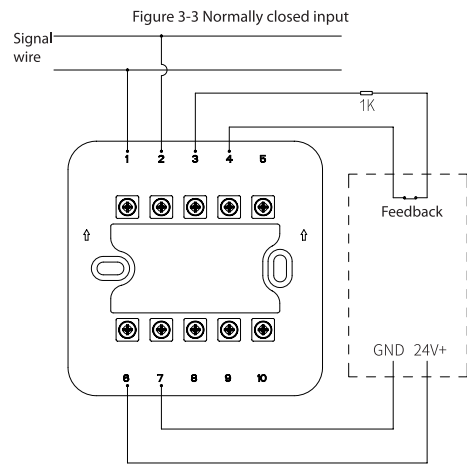


- 1, 2: Access terminal for the bus signal, polarity-free.
- 3, 4: Access terminal for the feedback equipment.
- 6, 7: Access terminal for the 24V pulse output signal.
- Normally open input: The end of the input line of the module must be connected in parallel with a $1\text{K}\Omega$ resistor.

Figure 3-2 Normally open input



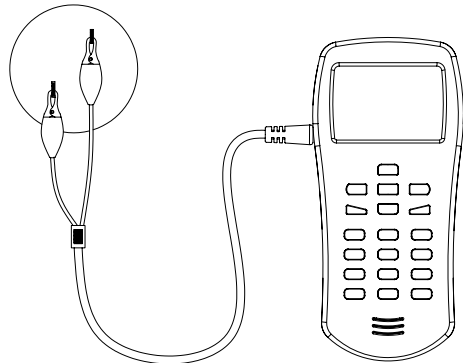
- Normally closed input: The end of the input line of the module must be connected in series with a $1\text{K}\Omega$ resistor.



Step 3 Code address.

- 1) Use a coder to make the device coded according to the device address on the construction drawing.
- 2) Press the number key to enter the address number, and then press "Confirmation" key to write the corresponding address to the device.
- 3) After writing the address successfully, there will be a "Di" tone, and the address will be automatically increased by one.

Figure 3-4 Coding



Step 4 Mount the device into the base by aligning them together until it is firmly locked.

Figure 3-5 Installation (2)

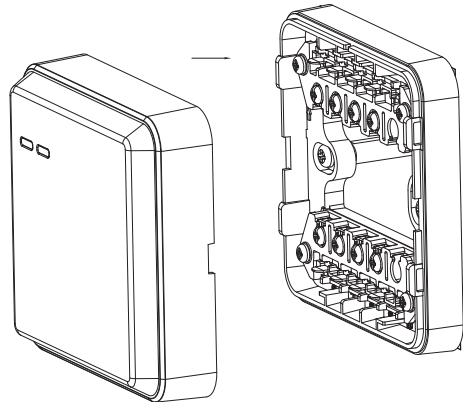
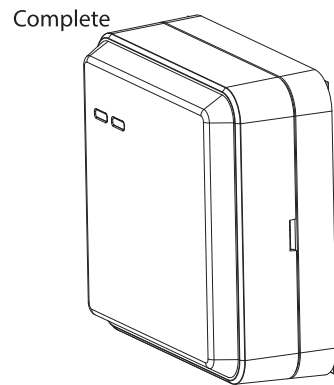


Figure 3-6 Installation (3)



Step 5 After all devices are installed and checked, connect the power supply of the Addressable Fire Alarm Control Panel and conduct automatic register.

4 FAQ

Problem	Solutions
The input indicator light of the module flashes quickly, and the screen of Fire Alarm Control Panel displays "Add or replace equipment"	While adding or replacing equipment, re-register in the System Debugging menu on the Fire Alarm Control Panel
The input indicator light of the module flashes quickly, and the screen of Fire Alarm Control Panel displays "LA repeated equipment information"	Find and take off the wrong coding device, rewrite the code with the encoder, and re-register on the Fire Alarm Control Panel after installation
The input indicator of the module flashes quickly, and the screen of Fire Alarm Control Panel displays "Open Circuit Fault"	Terminal 3 and 4 should be connected with 1 KΩ resistor
The output indicator of the module flashes quickly, and the screen of Fire Alarm Control Panel displays "Short Circuit Fault"	The controlled device is short-circuited, and the controlled device needs to be connected correctly
The output indicator of the module flashes quickly, and the screen of Fire Alarm Control Panel displays "Open Circuit Fault"	The connection between the output line of the module and the controlled device is disconnected (or short-circuited), and the controlled device needs to be connected correctly. If the wire detection function is not required, the module parameters can be changed to turn off the output wire detection function
The input/output indicator of the module does not light up, and the screen of Fire Alarm Control Panel displays "Registered device is offline"	Check whether the device is installed in place; if it is installed correctly, check the circuit, measure and ensure that the voltage of the equipment signal line is between 16V DC and 28V DC

5 Test and Maintenance

5.1 Test

- After installation and register, inspect the operation status of module. When the external device works properly, the indicator of input module flashes 6 seconds.
- Start the device, the output indicator flashes. After receiving the feedback signal, the input indicator flashes.
- Trigger the output switch to activate a fire alarm signal, the LED should remain lit.
- After completing the alarm test, reset the Fire Alarm Control Panel and restore to the normal operation, the indicator of input module flashes 6 seconds.

5.2 Maintenance

To keep your device in good working condition, please follow these requirements.

- Simulate alarm test: Test the device once half a year (recommended).
- Before testing or maintaining, inform the proper authorities that the system is undergoing maintenance and will temporarily be put out of service. Disable the system to prevent unwanted alarms.