



# Weatherproof and Explosionproof Manual Stations

## MPSR Series



### Overview

MPSR Series manual pull stations from Edwards are noncoded fire alarm stations solidly constructed of die-cast material. All components are pre-painted or have plated surfaces to inhibit corrosion.

Weatherproof manual stations are rated for outdoor use. Single- and double-action MPSR models are available with either single pole (normally open) or double pole (double throw) alarm contacts. Depending on the model, access to the unit for resetting purposes is gained with either a keylock or hex screw.

Explosionproof/weatherproof manual stations are rated for Class I Group B (hydrogen) C & D, Class II Groups E, F, G, Class III environments, and are rated NEMA 4X for outdoor use. They are available in single or double action activation with key or hex operated reset.

All models feature terminal block connections and 10 amp contacts.

### Standard Features

#### All models

- Solid corrosion-resistant construction
- Rated NEMA 4X for outdoor use
- Surface mount weatherproof backbox and gasket included
- Positive activation
- Terminals for wire connections

#### Weatherproof models

- Single and double action models
- Single or double pole contacts
- Key lock or hex screw reset

#### Explosionproof models

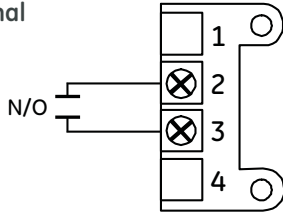
- Class I Group B, C & D, Class II Groups E, F, G, Class III
- Single-action models convertible to double-action operation
- Key lock reset
- Double pole contacts

## Application

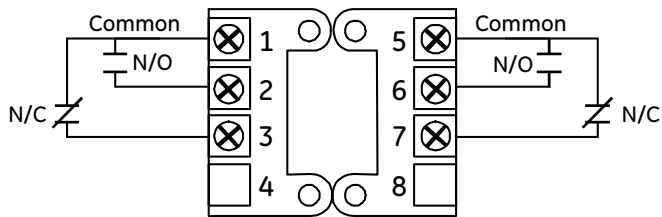
MPSR Series manual stations have 10 amp contacts. They may be used with or without a break glass rod. Rod replacement requires no special tools. Each manual station may be reset and locked using the standard key or hex key provided.

## Wiring

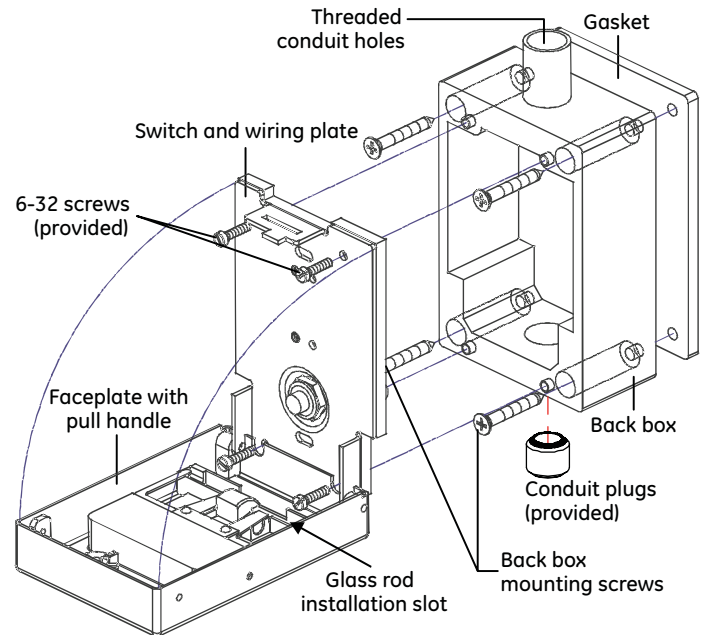
### Two contact terminal block wiring



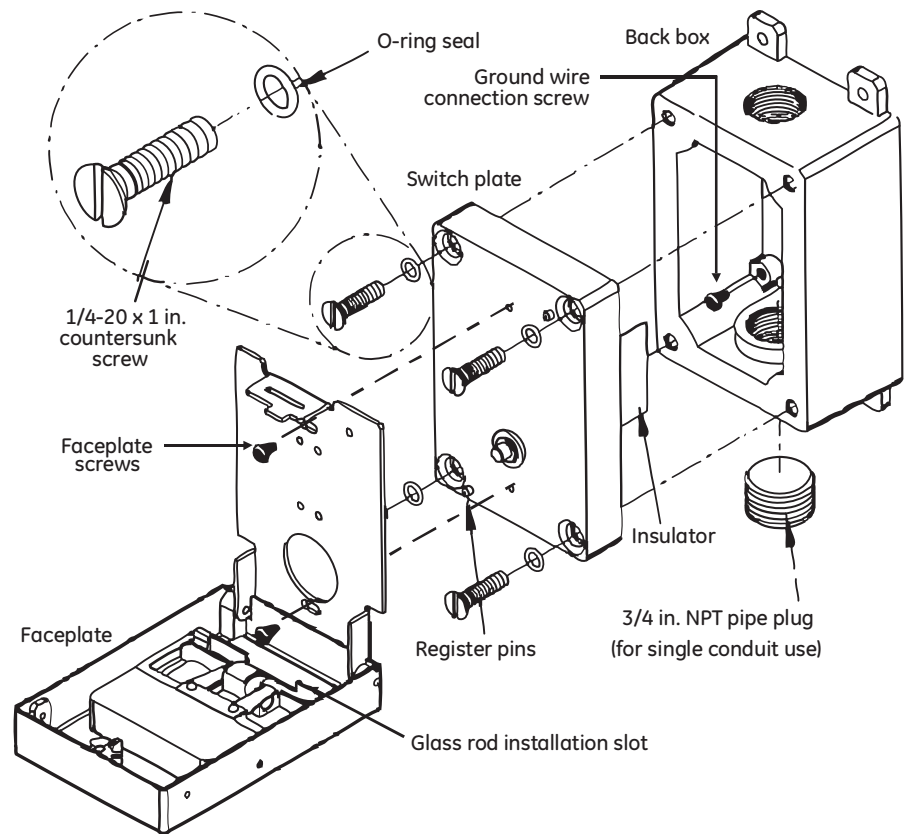
### Six contact terminal block wiring



## Assembly (weatherproof models)



## Assembly (explosionproof models)



# Specifications

	Weatherproof models	Explosionproof/weatherproof models
<b>Ratings</b>	NEMA: 4X outdoor	UL/CSA: Class I Group B, C & D, Class II Groups E, F, G, Class III NEMA: 4X outdoor
<b>Dimensions</b>		
Width	3.06 in (7.77 cm)	3.20 in (8.13 cm)
Height	4.75 in (12.07 cm)	4.75 in (12.07 cm)
Depth	3.0 in (7.62 cm)	3.70 in (9.40 cm)
<b>Electrical</b>		
Wiring	Two or six contact terminal block depending on model	Six contact terminal block
Wire size	14 to 18 AWG	14 to 18 AWG
Switch	10 amp @ 120 Vac	10 amp @ 120 Vac
<b>Physical</b>		
Mounting	Single gang weatherproof backbox (included)	Single gang explosionproof backbox (included)
Lock	Standard key or hex key	Standard key or hex screw
Operation	Single action or double action depending on model	Single-action (double-action with adapter cover)
<b>Operating environment</b>		
Temperature	-30 °F to 150 °F (-35 °C to 66 °C)	-30 °F to 150 °F (-35 °C to 66 °C)

## Ordering Information

Model	Description	Ship Wt. lb (kg)
<b>Weatherproof manual stations (weatherproof backbox included)</b>		
MPSR1-SHTW-GE	Single-action, SPST, hex screw reset, terminal connections.	0.93 (0.42)
MPSR1-S45W-GE	Single-action, SPST, Cat 45 Key reset, terminal connections.	0.93 (0.42)
MPSR1-DHTW-GE	Single-action, DPDT, hex screw reset, terminal connections.	0.93 (0.42)
MPSR1-D45W-GE	Single-action, DPDT, Cat 45 Key reset, terminal connections.	0.93 (0.42)
MPSR2-SHTW-GE	Double-action, SPST, hex screw reset, terminal connections.	1.7 (0.76)
MPSR2-DHTW-GE	Double-action, DPDT, hex screw reset, terminal connections.	1.7 (0.76)
MPSR2-S45W-GE	Double-action, SPST, Cat 45 Key reset, terminal connections.	1.7 (0.76)
MPSR2-D45W-GE	Double-action, DPDT, Cat 45 Key reset, terminal connections.	1.7 (0.76)
MPSR2-SHTW-GE-NYW	Double-action, SPST, hex screw reset, terminal connections, NYC white stripe.	1.7 (0.76)
MPSR2-S45W-GE-NYW	Double-action, SPST, Cat 45 Key reset, terminal connections, NYC white stripe.	1.7 (0.76)
For French markings add <b>-F</b> to the suffix of the model number. For bilingual French/English markings add <b>-B</b> to the suffix of the model number.		
<b>Explosionproof manual station (explosionproof backbox included)</b>		
MPSR1-D45WX-GE	Single-action, DPDT, Cat 45 Key reset, terminal connections	0.93 (0.42)
MPSR-LP	Double action cover	0.77 (0.35)
MPSR1-DHTWX-GE	Single-action, DPDT, hex screw reset, terminal connections	0.93 (0.42)
For French markings add <b>-F</b> to the suffix of the model number. For bilingual French/English markings add <b>-B</b> to the suffix of the model number.		
<b>Accessories</b>		
MPSRGR10	Replacement glass rods for MPSR stations (10 pack).	
276-K1	Cat 45 Key (each)	

Explosionproof model  
with double-action  
cover.





**Detection & alarm since 1872**

U.S.  
T 800 336 4206  
F 860 284 3083

Canada  
Chubb Edwards  
T 519 376 2430  
F 519 376 7258

Southeast Asia  
T : +65 6391 9300  
F : +65 6391 9306

India  
T : +91 80 4344 2000  
F : +91 80 4344 2050

Australia  
T +61 3 9239 1200  
F +61 3 9239 1299

Europe  
T +32 2 725 11 20  
F +32 2 721 86 13

Latin America  
T 305 593 4301  
F 305 593 4300

[www.edwardssignaling.com](http://www.edwardssignaling.com)

© 2010 UTC Fire & Security.  
All rights reserved.

---