

ONYXWorks[®]

Fire Systems Command Interface



General

ONYXWorks™ is the next generation in life safety management for centralized control and monitoring of the fire alarm system. The intuitive, graphical display allows personnel to rapidly pinpoint, investigate, and respond to alarm events with minimal operator training. Versatile enough for single-site, multi-site and even worldwide applications, the ONYXWorks graphical workstation allows end-users to manage their NOTIFIER life safety system over a proprietary network or Ethernet. Through its intelligent gateway architecture, ONYXWorks can easily meet the needs of expanding systems. ONYXWorks is also an ideal retrofit solution, supporting seamless integration with competitive panels. Additionally, ONYXWorks provides mass notification capabilities through IP-based voice paging and LED sign integration.

Features

OVERVIEW

- Operates on Microsoft Windows 10 (64 bit, Enterprise)
- Monitor options: 24" Touch screen
- Supports up to 200 intelligent gateways, with 200 nodes per gateway
- Maximum Remote Users: 50
- Point Capacity: 250,000
- History File Capacity: 2.5 Million Records
- Supports the following additional languages: Spanish, French, Korean, Portuguese, Hebrew, and Chinese (Traditional and Simplified)
- Compatible with standard, high-speed NOTI•FIRE•NET™, and Ethernet-based networks.
- NOTI•FIRE•NET™ gateway redundancy for network survivability.

USER INTERFACE

- Customizable interface provides flexibility to display information as desired.
- Supports dual monitors
- Dynamically generated floor plan overview provides point of reference when using the zoom function.
- Global Zoom Level for devices (0 – 100%), definable by the administrator.
- Device information, including point address and description, can be quickly accessed through icon left-click function.
- Navigational tree, icons and configurable areas provide easy access to system floor plans.



EVENT NOTIFICATION AND RESPONSE

- Graphic and text display of all off-normal events.
- Six states can be visually represented for each input device: Normal, Fault, Fire Alarm, Pre-Alarm (detectors), Disabled and Security.
- Automatic screen navigation (configurable) to the device in alarm, based on event priority.
- Operator log with response tracking.
- Multimedia (text, audio, video and bitmaps) can be linked to any device, providing instructions to operators for event response.
- ONYX-NOTIFY feature provides e-mail and text notification for off-normal events.
- NOTIFY-IP feature supports Voice-Over-IP paging for mass notification.
- Real-time message override capability to LED-Signs on NOTI•FIRE•NET™.

SYSTEM SETUP

- Graphic Editing mode allows on-site or off-site system setup.
- Import building floor plan CAD drawings (as a .dxf, .wmf, .bmp, .jpg, or .gif).
- Customizable device icon and colors to visually represent each event type.
- User defined icons can be globally defined (.PNG, .BMP, .WMF, .JPG, and .GIF formats).

SECURE ACCESS

- System Administrator definable user profiles provide strict levels of access.
- Monitoring and Control profiles delineate defined operator accounts.
- Operator Login/ Logout/Change Password feature allows only authorized personnel to access the system.
- Logs in history of any operator changes in the workstation.

OPERATIONS

- Macros provide customizable programming to simplify repetitive tasks. (disable/enable, de-activate/activate)
- Individual device control and system information through icon right-click function
- History Manager: Filterable history reporting serves as a valuable maintenance and diagnostic tool to identify patterns.

SYSTEM MAINTENANCE

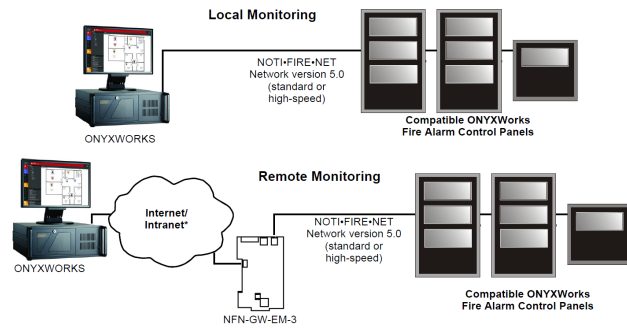
- Backup capability for screen, member, and history databases.
- Obtain software version numbers for network panels (ONYX® Series fire panels.)
- Upload/Download databases to NOTIFIER ONYX series panels and perform panel upgrades (ONYX Series only) over the network using VeriFire Tools.

NOTI•FIRE•NET™ MONITORING

An ONYXWorks system is an ideal component of a Fire Command Center for real-time Fire system status and system control options. ONYXWorks interfaces directly to a NOTI•FIRE•NET™ fire system using an NFN Gateway. The NFN Gateway is an intelligent interface used by an ONYXWorks system that facilitates monitoring and control of a NOTI•FIRE•NET (version 5.0) network and NOTIFIER fire panels. The NFN Gateway is available in two versions: PC-based gateway and embedded gateway (see NFN Gateway data sheet DN-7060). The embedded NFN Gateway enables users to monitor multiple sites (local or remote) over an IP network.

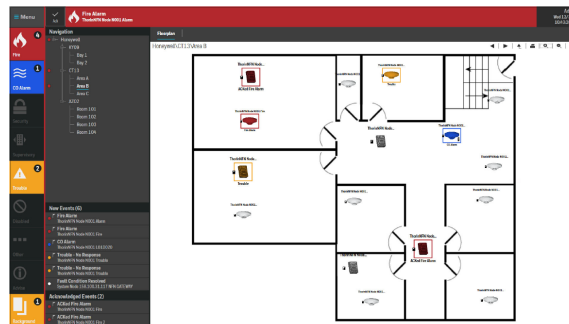
Minimum ONYXWorks equipment options/requirements are available on the NFN Gateway data sheet.



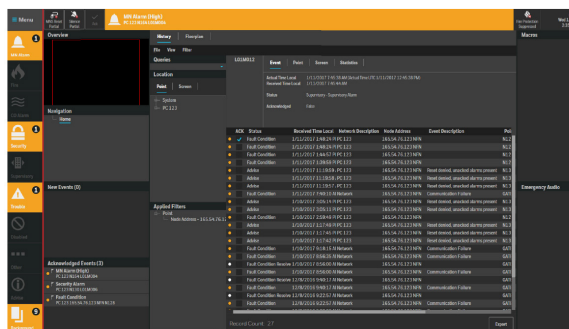


Fisheye Display Options and Installation Modes

Workstation Software



History Manager



Ordering

WARRANTY

The PC and monitors are warranted from date of purchase for a period of 12 months. Please refer to the NOTIFIER Limited Warranty Policy for additional information.

ONYXWORKS Workstation Components:

ONYXWORKS Workstation Graphics User Interface (GUI) software and hardware package. One GUI workstation software license, and software key. One monitor required per workstation; dual-monitor capable (monitors sold separately).

WORKSTATION

With ONYXWORKS GUI software and computer hardware. One monitor required per workstation; dual-monitor capable (monitors sold separately).



Components

MONITOR	24" widescreen HD LED color touchscreen monitor. Other options on demand.
NFN-GW-PC-F	NFN Gateway PC card with fiber.
NFN-GW-PC-W	NFN Gateway PC card with wire.
NFN-GW-AU-EM-3	NFN Gateway, embedded.
NFN-GW-PC-HNSF	High-speed NFN Gateway PC card for single-mode fiber.
NFN-GW-PC-HNMF	High-speed NFN Gateway PC card for multi-mode fiber.
NFN-GW-PC-HNW	High-speed NFN Gateway PC card for wire.
SW-OW-VIEW	ONYXWorks Software - View Only
SW-OW-CON	ONYXWorks Software - View + Control
SW-OW-CONPG	ONYXWorks Software - View + Control + Paging
LEDSIGN-GW	Emergency sign integration. Can operate with or without ONYXWorks Workstation.
OAX2-24V	Two-line sign for use with LEDSIGN-GW. TCP/IP, 24V or POE (Power over Ethernet).

NOTE: If adding to an existing system, please provide customer service with the 5-digit software key number of your workstation.

An upgrade authorization will be provided to you.

Agency Listings and Approvals

The listings and approvals below apply to the devices specified in this document. In some cases, certain devices or applications may not be listed by certain approval agencies, or listing may be in process. Consult NOTIFIER for latest listing status.

- AS ISO 7240.3:2014
- AS ISO 7240.23:2014; SAI Global certificate # SMK40640-4