

SA-232 RS-232 Interface Card Installation Sheet

SA-232 operation

The SA-232 card provides an RS-232 interface to the panel. The card can be used for connecting a printer to the control panel to print system events. The card can also be used for uploading and downloading panel configuration, history, and current status to a PC running the configuration utility.

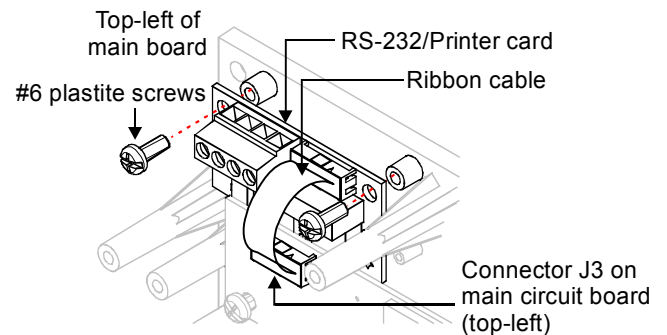
SA-232 installation

The RS-232 card is installed on the plastic assembly and connects to the main circuit board via a ribbon cable.

To install the RS-232 card:

1. Power down the panel and disconnect the batteries.
2. Locate the card location on the plastic assembly behind the main circuit board and connector J3 on the main circuit board (at the top-left of the main board).
3. Attach the card to the plastic assembly using two #6 plastite screws as shown in the diagram below.
4. Connect the ribbon cable (P/N 7140187) from the card to connector J3 on the main circuit board as shown in the diagram.
5. Connect field wiring. See "SA-232 wiring."
6. Power up the panel connect the batteries.

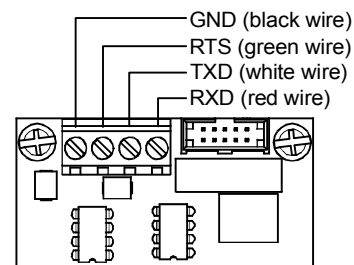
SA-232 card installation



SA-232 wiring

The RS-232 card can be wired to a printer to print system events or wired to a computer to download to the panel.

SA-232 wiring connections



Printer wiring

Note: The printer must be enabled and configured through programming for proper operation.

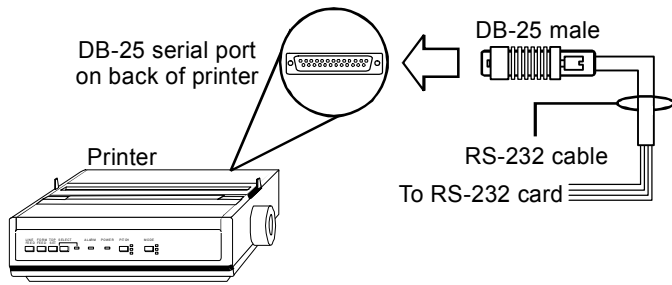
Wiring to a printer:

1. Locate the serial port on the back of the printer.

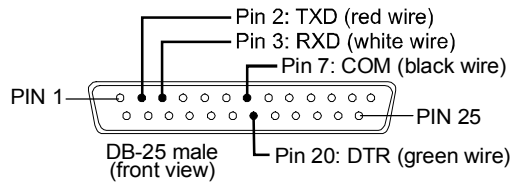


2. Connect the DB-25 end of the RS-232 cable to the serial port on the back of the printer.
3. Connect the other end of the RS-232 cable to the RS-232 card.

Printer wiring



DB-25 pin connections



SA-232 card to printer DB-25 connections

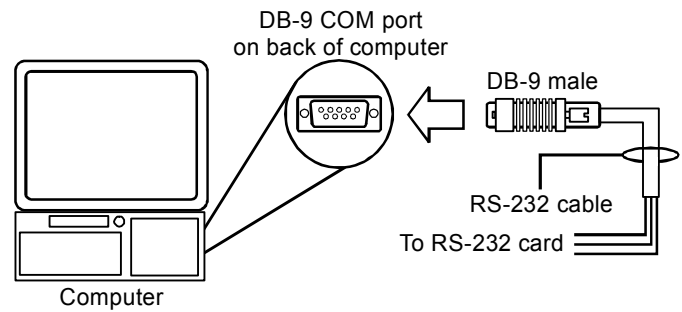
SA-232 card	DB-25	Description
GND	COM (pin 7)	Black wire (ground connection)
RTS	DTR (pin 20)	Green wire (printer supervision)
TXD	RXD (pin 3)	White wire (communication)
RXD	TXD (pin 2)	Red wire (communication)

Computer download wiring

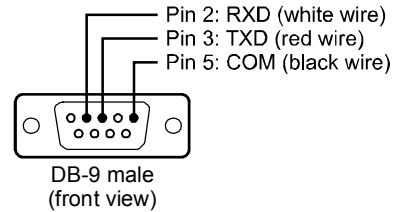
Wiring to a computer:

1. If you have a connected printer, disconnect it.
2. Locate a serial port (COM port) on the back of the computer.
3. Connect the DB-9 end of the RS-232 cable to the COM port on the back of the computer.
4. Connect the other end of the RS-232 cable to the RS-232 card.

Computer download wiring



DB-9 pin connections



SA-232 card to computer DB-9 connections

SA-232 card	DB-9	Description
GND	COM (pin 5)	Black wire (ground connection)
RTS	-	Not used
TXD	RXD (pin 2)	White wire (communication)
RXD	TXD (pin 3)	Red wire (communication)

SA-232 specifications

Operating voltage	24 VDC
Serial communications	Asynchronous communications maximum resistance: 13 Ω Maximum capacitance: 0.7 μ F
Wire length	50 feet max.
Signal voltage	+/- 10 V
Operating current	Standby/Alarm: 13 mA Max.: 20 mA
Terminal rating	12 to 18 AWG (0.75 to 2.5 sq. mm)
Printer communication speed	9600 baud
Operating environment	Temperature 32 to 120°F (0 to 49°C) Humidity 0 to 93% RH, noncondensing at 90°F (32°C)