

Features

MAPNET II or IDNet communications compatible Monitor ZAMs (Zone Adapter Modules) provide an addressable interface to a conventional initiating device circuit (IDC)**

Available for Class B or Class IDCs:

- 4090-9101, Class B (Style B) monitoring for 2-wire or 4-wire initiating devices, with power reset connections for 4-wire devices
- 4090-9106, Class A (Style D) monitoring for 2-wire initiating devices
- Zone device power is supplied separately (typically from fire alarm control panel)
- Refer to device compatibility list on page 2

Compatible with Simplex:

- Model Series 4010/4100/4120/4020 fire alarm control panels equipped with either IDNet or MAPNET II communications
- Model Series 2120 communicating device transponders (CDTs) equipped with MAPNET II communications

Compact, sealed construction:

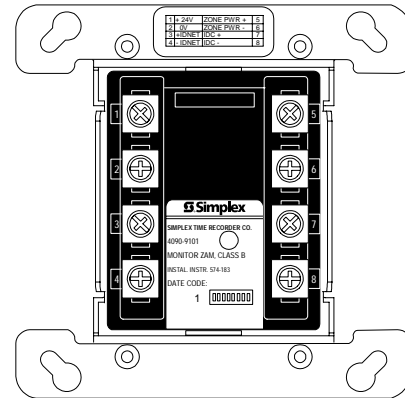
- Enclosed design minimizes dust infiltration
- Mounts in standard 4" square electrical box
- Screw terminals for wiring connections
- Visible LED flashes to indicate communications
- Optional covers are available to allow LED to be viewed after installation
- UL listed to Standard 864

Description

MAPNET II/IDNet Monitor ZAMs allow a single addressable point to monitor a conventional initiating device circuit (IDC) populated with 2-wire or 4-wire initiating devices. Refer to page two for compatible devices.

* This product has been approved by the California State Fire Marshal (CSFM) pursuant to Section 13144.1 of the California Health and Safety Code. See CSFM Listing 7300-0026:223 for allowable values and/or conditions concerning material presented in this document. It is subject to re-examination, revision, and possible cancellation. Accepted for use - City of New York Department of Buildings - MEA35-93E. Additional listings may be applicable, contact Simplex for the latest status.

** MAPNET II and IDNet addressable designs are protected by U.S. Patent 4,796,025.



4090 Series IDNet Relay IAM/ZAM Package
(shown approximately 1/2 size)

Specifications

Communications	MAPNET II or IDNet, 1 address per device
ZAM Input Voltage	18.9 to 32 VDC (nominal 24 VDC)
ZAM Current @ 24 VDC	Supervisory = 16 mA maximum Alarm = 72 mA maximum (actual current is determined by total device requirements)
4090-9101 ZAM, Zone Supervision Resistor	3.3 kΩ, 1 W
Wire Connections	Screw terminals for in/out wiring, 18 to 14 AWG wire
MAPNET II or IDNet Wiring	Up to 2500 ft (762 m) from fire alarm control panel Up to 10,000 ft (3048 m) total wiring distance (including T-Taps) Compatible with Simplex 2081-9044 Overvoltage Protectors
Dimensions	4 1/8" H x 4 1/8" W x 1 3/8" D (105 mm x 105 mm x 35 mm)
Housing Material	Black thermoplastic
Mounting Plate Material	Sheet metal, galvanized
Temperature Range	32° to 120° F (0° to 49° C) intended for indoor operation
Humidity Range	Up to 93% RH at 100° F (38° C)

Product Selection

ZAM Module

Model Number	Description
4090-9101	Zone adapter module, for Class B monitoring of 2-wire or 4-wire initiating devices, with power reset connections for 4-wire devices
4090-9106	Zone adapter module for Class A monitoring of 2-wire initiating devices

Optional Trim Plates and Mounting Bracket

Model Number	Description	
4090-9801	Trim plate with LED viewing window, includes mounting screws	For semi-flush mounted box
4090-9802		For surface mounted box

Monitor ZAM Two-Wire Initiating Device Compatibility Reference Chart

Description	Model Number	Compatible Bases	Maximum Quantity
Direct connect photoelectric smoke detector	2098-9209	No base required	20
Electronic heat detectors	4098-9401 4098-9402 4098-9403 4098-9404		
	4098-9612 4098-9613 4098-9614 4098-9615	4098-9788	20
		4098-9684	1
		4098-9683	1
Photoelectric smoke detectors	4098-9601 4098-9602 4098-9605	4098-9788	20
		4098-9683	1
Ionization smoke detector	4098-9603	4098-9788	20
		4098-9683	1
Duct detector housing with 4098-9601 detector	4098-9685	N.A.	20

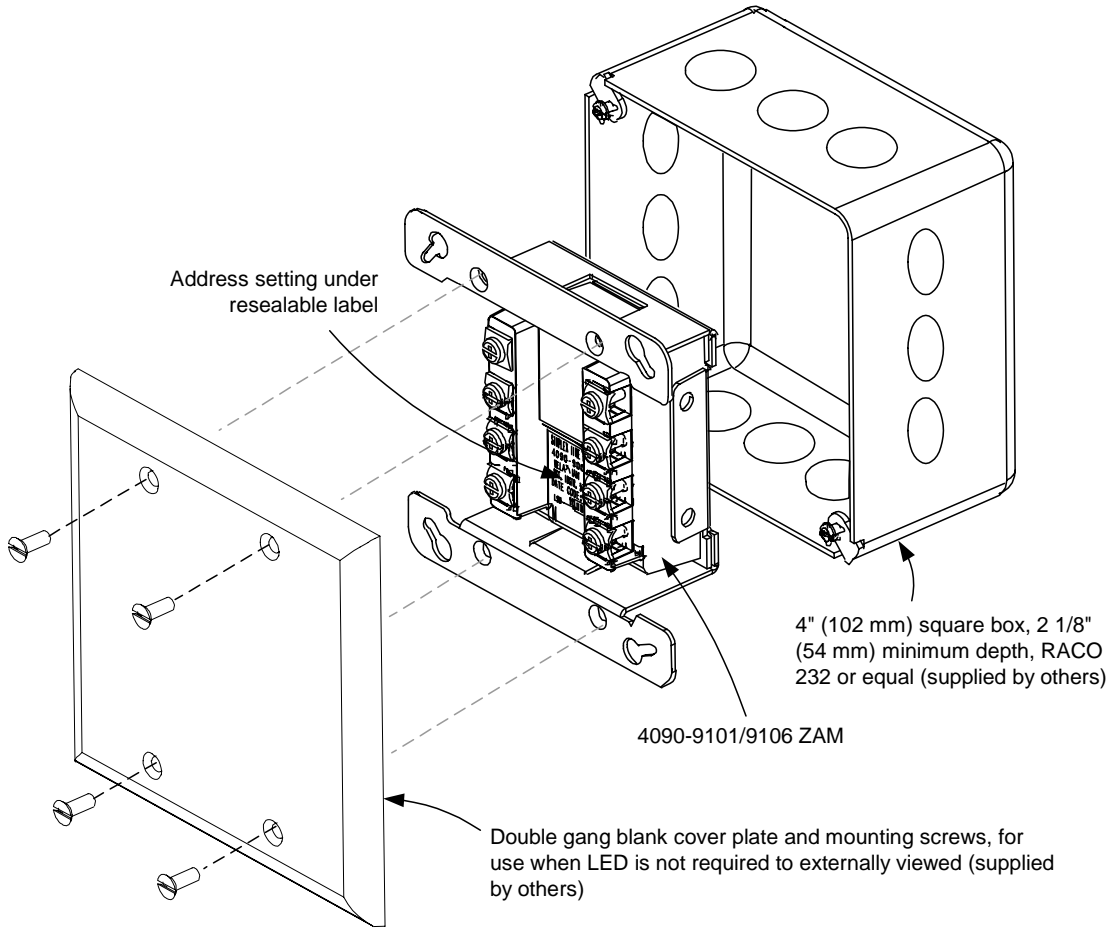
Reference for Existing Equipment

Smoke detectors	2098-9201 2098-9202 2098-9203 2098-9576	2098-9211	20
		2098-9637	1
Electronic heat detectors	4098-9407 4098-9408 4098-9409 4098-9410	2098-9211	20

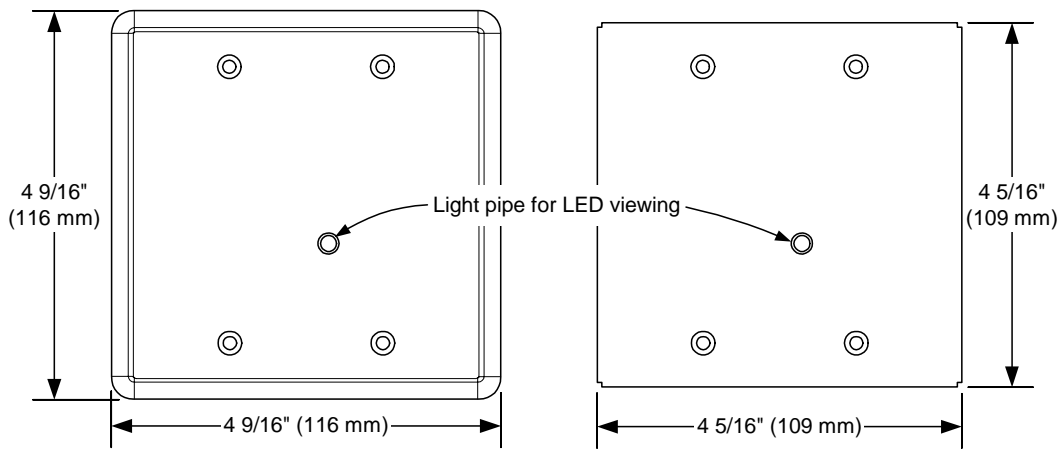
NOTES:

1. Four-wire detector operation is compatible with conventional listed contact closure initiating devices.
2. Four-wire detectors require detector voltage to be connected to resettable power terminals.
3. Refer to installation instructions 574-183, and field wiring diagram 842-073 for additional information.
4. Contact Simplex for additional compatible devices.

ZAM Mounting Information



Mounting Reference, Double Gang Blank Cover Plate



4090-9801, Trim plate for semi-flush mounted box

4090-9802, Trim plate for surface mounted box

Optional Trim Plates for Visible LED

Simplex, the Simplex logo, MAPNET II, and IDNet are either trademarks or registered trademarks of Simplex Time Recorder Co. in the U.S. and/or other countries.



S4090-0003 8/00

Westminster, Massachusetts 01441-0001 USA
visit us on the world wide web at www.simplexnet.com

All specifications and other information shown were current as of printing and are subject to change without notice.