

# Wireless Strobe Siren

## User Guider

### 1. Introduction

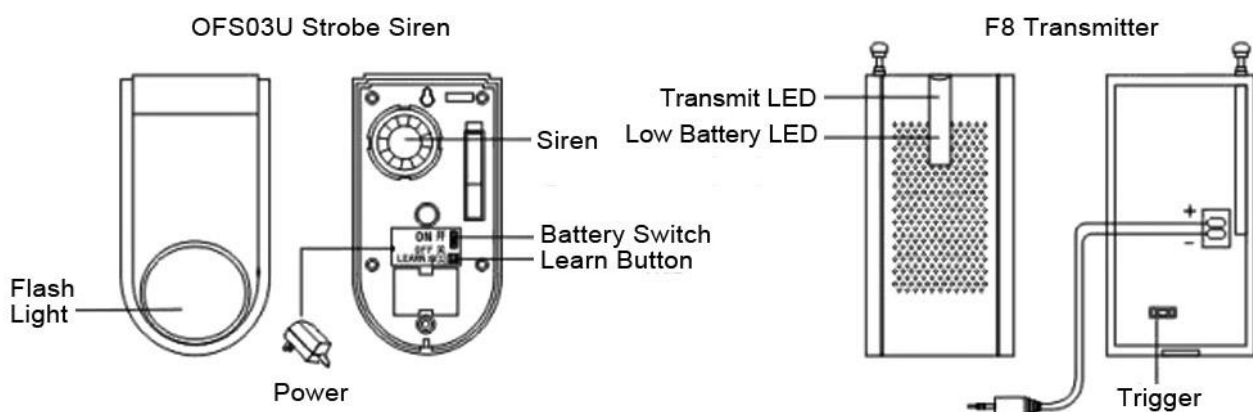
This system includes wireless strobe siren (hereinafter called “OFS03U”) and one transmitter (hereinafter called “ F8 ”).OFS03U with intelligent microprocessor, high decibels siren and high brightness flash light. Add F8 to OFS03U and insert the plug of F8 into the siren outlet of alarm host, and then F8 and OFS03U can be one set of wireless strobe siren.

OFS03U also can be used as an on-site alarm. You can add wireless accessories to the OFS03U, such as remote control, wireless magnetic door contact, wireless PIR detector, wireless smoke detector, wireless gas detector. In the arming status, when the detector is triggered, OFS03U will alarm with sound and flash light.OFS03U is widely used in banks, hospitals, power stations, schools, factories, shops and so on, to protect the personnel and property security.

### 2. Features:

- Wireless intelligent study coding, maximum support 20pcs remote controls, detectors or transmitters to OFS03U.
- Can work with PSTN alarm system and GSM alarm system ,ease of use .
- Compatible with PT2262 normal encoding(Resistance 1.5M-4.7M) and a million groups encoding(Resistance of 150K-470K) detectors and remote controls.
- Built-in Ni-Hi rechargeable battery and automatically switchable upon power failure.
- EEPROM information protection, information never lost, to ensure information security.
- Both AC and DC, twenty-four-hour ordinary guarding without interruption.

### 3. Wireless strobe siren picture



### 4.Operation instruction as a wireless strobe siren

#### 4.1 Add F8 to OFS03U

1) Put the plug of transmitter to the siren outlet of alarm host .If work with the wired alarm system ,you need cut off the F8 plug, connect the red wire to wired alarm system positive pole, connect the black wire to negative

pole.

2) After OFS03U is power on, and battery switch to ON position, it enter the normal working state, press OFS03U “learn” button 1 second, OFS03U beep once , flashing lights on and then enter the learning mode.

3) Open the back cover of F8, press the white button, F8 transmitter lights on and send the signal out, OFS03U beep twice, means add F8 successfully.

4) Press OFS03U “learn” button 1 second or wait 20seconds to exit the learning mode.

#### 4.2 Operation of transmitter(F8) and strobe siren(OFS03U)

1) After add F8 to OFS03U, press the write button of F8 ,the indicator light will flash once and sent a disarming signal to OFS03U,then OFS03U beep twice, means successful operation

2) Put the plug of F8 into the siren outlet of the alarm host .When alarm host is alarming ,F8 will send a signal to OFS03U, and OFS03U will alarm with sound and flashing light .

3) After the alarm host is disarmed, F8 will send the disarming signal to OFS03U, OFS03U stop alarming.

#### 4.3 Delete the transmitter

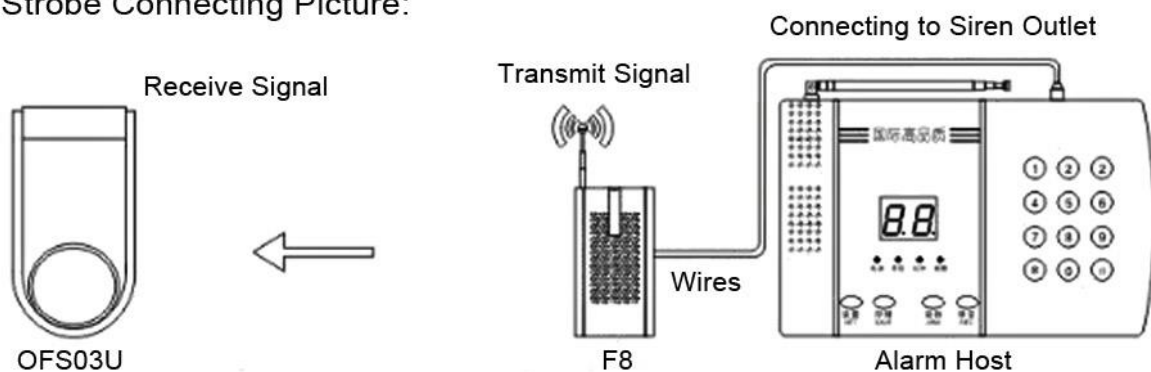
Press “Learn” button 1 second, OFS03U beep once to enter learning mode , then press and hold “Learn” button 5 seconds,OFS03U sound beep six times, light off, and then release “Learn” button ,means delete the transmitter.

#### 4.4 Restore factory setting

Disconnect the power of OFS03U, turn off the battery switch, then press and hold the “Learn” button while power-on. OFS03U will respond with beep six times, then release the “Learn” button, restore factory setting successfully.

Remark : This feature will restore all settings to factory default ,all transmitters will be deleted

#### Strobe Connecting Picture:



### 5.Operation Instruction as Stand alone alarm system

#### 5.1: Add remote control or detector

1, After power on with beep once, OFS03U enter normal working state.

2, Press “Learn” button 1 second, OFS03U beep once and the light is on, and then press any key of remote control or trigger the detector to send a signal to OFS03U, respond beep twice means add successfully, if only beep once means the remote control or detector had been added before, beep three times means the accessories has already fulfilled its enrolment quota or exit the configure mode.

3, Press “Learn” button or wait 20 seconds to exit configure mode.

Noted: OFS03U can configure up to 20pcs remote controls, detectors or F8 transmitters

### 5.2 Delete remote control or detector

Press “Learn” button 1 second, beep once to enter the configuration mode , then hold the “Learn” button 5 seconds ,OFS03U will respond with beep six times, and light off , and then release “Learn” button means delete all remote controls and detectors.

### 5.3 Restore factory setting

Disconnect power, turned off the battery switch, then press and hold the “Learn” button while power-on. F008 will respond with beep six times, then can release the “Learn” button. This feature will restore all settings to factory default ,all detectors and remote controls will be deleted

## 6.Standard Package

- |                                      |     |
|--------------------------------------|-----|
| 1,OFS03U sound and flash light siren | 1pc |
| 2, F8 transmitter                    | 1pc |
| 3: 12V 500mA power adapter           | 1pc |
| 4. User guider                       | 1pc |

Noted: standard package is only used when OFS03U as a wireless strobe siren, work with PSTN alarm system or GSM alarm system. If OFS03U used as an on-site alarm, customer can add the remote control, wireless PIR, wireless magnetic door contact or other detector by yourself.

## 7.Technical specifications:

- 1: Input voltage: DC9-15 V
- 2: OFS03U build-in battery: Ni-Hi AAA\*6 DC 7.2V
- 3: F8 battery: 12V/23A
- 4: Standby current: <20mA
- 5: Alarm current: <300mA
- 6: Received frequency: 315/433MHz
- 7: Received distance: 100m (open area)
- 8: Sound loud: 120dB
- 9: Sound time: 5minutes
- 10: Work temperature: -20℃-55℃