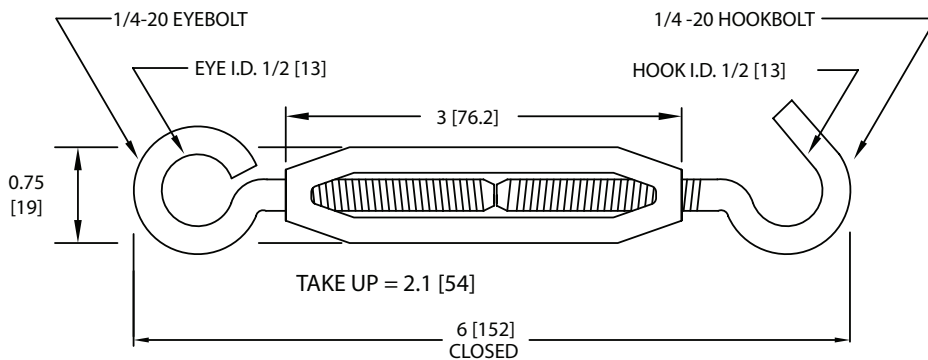


TR-24 & TR-24-S Turnbuckle, TR-4A & TR-4A-S Eyebolt and TR-5G Protectowire Linear Heat Installation Accessories

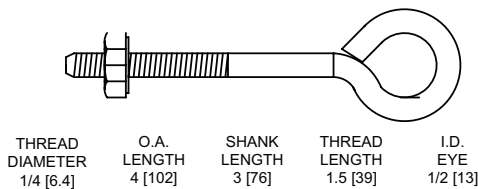
- The TR-24 and TR-24-S Turnbuckle are used to attach and add tension to one end of messenger wire to a supporting structure.
- TR-24 Materials: zinc plated steel
- TR-24-S Materials: Body - aluminum, Bolts - 304 stainless steel
- TR-5G = zinc plated steel
Temperature Rating: -70°F to 300°F (-57°C to 149°C)
1/4"-20 locknuts

- The TR-4A and TR-4A-S Eyebolt is used to attach one end of messenger wire to a supporting structure.
- TR-4A Materials: zinc plated steel
- TR-4A-S Materials: 304 stainless steel
- 1/4"-20 Thread size

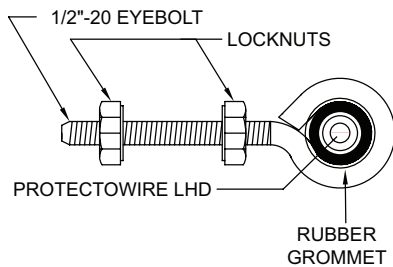
TURN-BUCKLE TR-24



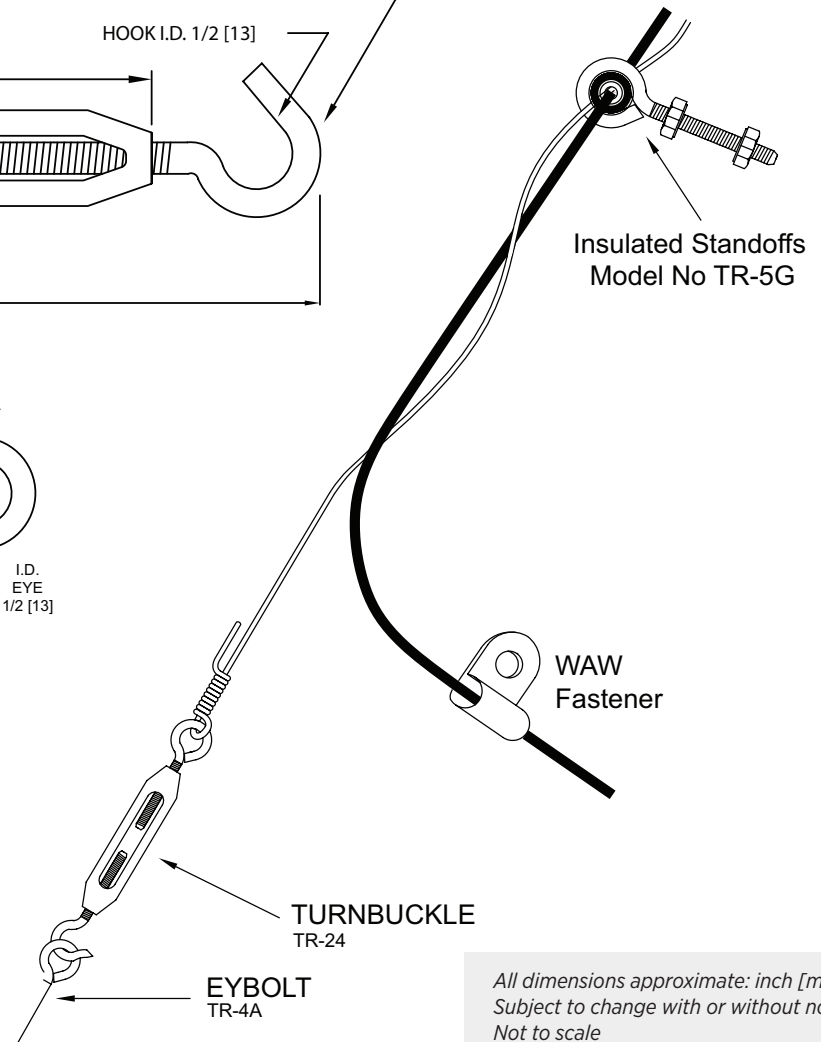
EYEBOLT MODEL TR-4A



TR-5G



THREAD DIAMETER	O.A. LENGTH	SHANK LENGTH	THREAD LENGTH	I.D. EYE
1/4 [6.4]	2.5 [51]	1.5 [38]	1.25 [32]	1/2 [13]



All dimensions approximate: inch [mm]
Subject to change with or without notice
Not to scale