



Is Now Part of



**ON Semiconductor®**

To learn more about ON Semiconductor, please visit our website at  
[www.onsemi.com](http://www.onsemi.com)

Please note: As part of the Fairchild Semiconductor integration, some of the Fairchild orderable part numbers will need to change in order to meet ON Semiconductor's system requirements. Since the ON Semiconductor product management systems do not have the ability to manage part nomenclature that utilizes an underscore (\_), the underscore (\_) in the Fairchild part numbers will be changed to a dash (-). This document may contain device numbers with an underscore (\_). Please check the ON Semiconductor website to verify the updated device numbers. The most current and up-to-date ordering information can be found at [www.onsemi.com](http://www.onsemi.com). Please email any questions regarding the system integration to [Fairchild\\_questions@onsemi.com](mailto:Fairchild_questions@onsemi.com).

ON Semiconductor and the ON Semiconductor logo are trademarks of Semiconductor Components Industries, LLC dba ON Semiconductor or its subsidiaries in the United States and/or other countries. ON Semiconductor owns the rights to a number of patents, trademarks, copyrights, trade secrets, and other intellectual property. A listing of ON Semiconductor's product/patent coverage may be accessed at [www.onsemi.com/site/pdf/Patent-Marking.pdf](http://www.onsemi.com/site/pdf/Patent-Marking.pdf). ON Semiconductor reserves the right to make changes without further notice to any products herein. ON Semiconductor makes no warranty, representation or guarantee regarding the suitability of its products for any particular purpose, nor does ON Semiconductor assume any liability arising out of the application or use of any product or circuit, and specifically disclaims any and all liability, including without limitation special, consequential or incidental damages. Buyer is responsible for its products and applications using ON Semiconductor products, including compliance with all laws, regulations and safety requirements or standards, regardless of any support or applications information provided by ON Semiconductor. "Typical" parameters which may be provided in ON Semiconductor data sheets and/or specifications can and do vary in different applications and actual performance may vary over time. All operating parameters, including "Typicals" must be validated for each customer application by customer's technical experts. ON Semiconductor does not convey any license under its patent rights nor the rights of others. ON Semiconductor products are not designed, intended, or authorized for use as a critical component in life support systems or any FDA Class 3 medical devices or medical devices with a same or similar classification in a foreign jurisdiction or any devices intended for implantation in the human body. Should Buyer purchase or use ON Semiconductor products for any such unintended or unauthorized application, Buyer shall indemnify and hold ON Semiconductor and its officers, employees, subsidiaries, affiliates, and distributors harmless against all claims, costs, damages, and expenses, and reasonable attorney fees arising out of, directly or indirectly, any claim of personal injury or death associated with such unintended or unauthorized use, even if such claim alleges that ON Semiconductor was negligent regarding the design or manufacture of the part. ON Semiconductor is an Equal Opportunity/Affirmative Action Employer. This literature is subject to all applicable copyright laws and is not for resale in any manner.

# UC3842A/UC3843A

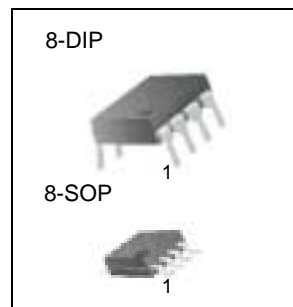
## SMPS Controller

### Features

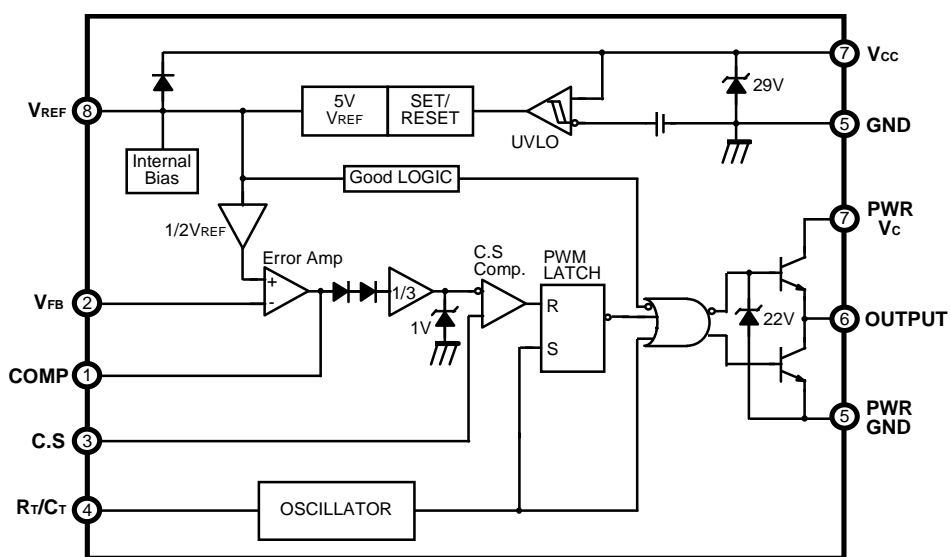
- Low Start Current 0.2mA (typ)
- Operating Range Up To 500KHz
- Cycle by Cycle Current Limiting
- Under Voltage Lock Out With Hysteresis
- Short Shutdown Delay Time: typ.100ns
- High Current Totem-pole Output
- Output Swing Limiting: 22V

### Description

The UC3842A/UC3843A are fixed PWM controller for Off-Line and DC to DC converter applications. The internal circuits include UVLO, low start up current circuit, temperature compensated reference, high gain error amplifier, current sensing comparator, and high current totem-pole output for driving a POWER MOSFET. Also UC3842A/UC3843A provide low start up current below 0.3mA and short shutdown delay time typ. 100ns. The UC3842A has UVLO threshold of 16V(on) and 10V(off). The UC3843A is 8.4V(on) and 7.6V(off). The UC3842A and UC3843A can operate within 100% duty cycle.



### Internal Block Diagram



## Absolute Maximum Ratings

Parameter	Symbol	Value	Unit
Supply Voltage	V <sub>CC</sub>	30	V
Output Current	I <sub>O</sub>	± 1	A
Analog Inputs (pin 2, 3)	V <sub>I(ANA)</sub>	- 0.3 to 6.3	V
Error Amp. Output Sink Current	I <sub>SINK(EA)</sub>	10	mA
Power Dissipation	P <sub>D</sub>	1	W

## Electrical Characteristics

(V<sub>CC</sub> = 15V, R<sub>T</sub> = 10K $\Omega$ , C<sub>T</sub> = 3.3nF, T<sub>A</sub> = 0°C to + 70°C ,Unless otherwise specified)

Parameter	Symbol	Conditions	Min.	Typ.	Max.	Unit
<b>REFERENCE SECTION</b>						
Output Voltage	V <sub>REF</sub>	T <sub>J</sub> = 25°C, I <sub>O</sub> = 1mA	4.9	5.0	5.1	V
Line Regulation	$\Delta$ V <sub>REF</sub>	V <sub>CC</sub> = 12V to 25V	-	6	20	mV
Load Regulation	$\Delta$ V <sub>REF</sub>	I <sub>O</sub> = 1mA to 20mA	-	6	25	mV
Output Short Circuit	I <sub>SC</sub>	T <sub>a</sub> = 25°C	-	- 100	- 180	mA
<b>OSILLATOR SECTION</b>						
Initial Accuracy	F <sub>OSC</sub>	T <sub>J</sub> = 25°C	47	52	57	KHz
Voltage Stability	ST <sub>V</sub>	V <sub>CC</sub> = 12V to 25V	-	0.2	1	%
Amplitude	V <sub>OSC</sub>	V <sub>PIN4</sub> , Peak to Peak	-	1.7	-	V
Discharge Current	I <sub>DISCHG</sub>	T <sub>J</sub> = 25°C, Pin4 = 2V	7.8	8.3	8.8	mA
<b>CURRENT SENSE SECTION</b>						
Gain	G <sub>V</sub>	(NOTE 2, 3)	2.85	3	3.15	V/V
Maximum Input Signal	V <sub>I(MAX)</sub>	V <sub>PIN1</sub> = 5V(NOTE 2)	0.9	1.0	1.1	V
PSRR	PSRR	V <sub>CC</sub> = 12V to 25V (NOTE 1, 2)	-	70	-	dB
Input Bias Current	I <sub>BIAS</sub>	-	-	- 2	-10	$\mu$ A
Delay to Output	T <sub>D</sub>	V <sub>PIN3</sub> = 0 V to 2V (NOTE1)	-	100	200	ns

## Electrical Characteristics (Continued)

(V<sub>CC</sub> = 15V, R<sub>T</sub> = 10K $\Omega$ , C<sub>T</sub> = 3.3nF, T<sub>A</sub> = 0°C to + 70°C, Unless otherwise specified)

Parameter	Symbol	Conditions	Min.	Typ.	Max.	Unit
<b>ERROR AMPLIFIER SECTION</b>						
Input Voltage	V <sub>I</sub>	T <sub>PIN1</sub> = 2.5V	2.42	2.50	2.58	V
Input Bias Current	I <sub>BIAS</sub>	-	-	-0.3	- 2	$\mu$ A
Open Loop Gain	G <sub>VO</sub>	V <sub>O</sub> = 2V to 4V (NOTE 1)	65	90	-	dB
Unity Gain Bandwidth	GBW	T <sub>J</sub> = 25°C (NOTE 1)	0.7	1	-	MHz
PSRR	PSRR	V <sub>CC</sub> = 12V to 25V (NOTE 1)	60	70	-	dB
Output Sink Current	I <sub>SINK</sub>	V <sub>PIN2</sub> = 2.7V V <sub>PIN1</sub> = 1.1V	2	6	-	mA
Output Source Current	I <sub>SOURCE</sub>	V <sub>PIN2</sub> = 2.3V V <sub>PIN1</sub> = 5.0V	-0.5	-0.8	-	mA
Output High Voltage	V <sub>OH</sub>	V <sub>PIN2</sub> = 2.3V R <sub>1</sub> = 15K $\Omega$ to GND	5	6	-	V
Output Low Voltage	V <sub>OL</sub>	V <sub>PIN2</sub> = 2.7V R <sub>1</sub> = 15K $\Omega$ to Pin8	-	0.8	1.1	V
<b>OUTPUT SECTION</b>						
Output Low Level	V <sub>OL</sub>	I <sub>SINK</sub> = 20mA	-	0.1	0.4	V
		I <sub>SINK</sub> = 200mA	-	1.5	2.2	V
Output High Level	V <sub>OH</sub>	I <sub>SOURCE</sub> = 20mA	13	13.5	-	V
		I <sub>SOURCE</sub> = 200mA	12	13.5	-	V
Rise Time	t <sub>R</sub>	T <sub>J</sub> = 25°C, C <sub>1</sub> = 1nF (NOTE 1)	-	40	100	ns
Fall Time	t <sub>F</sub>	T <sub>J</sub> = 25°C, C <sub>1</sub> = 1nF (NOTE 1)	-	40	100	ns
Output Voltage Swing Limit	V <sub>OLIM</sub>	V <sub>CC</sub> = 27V, C <sub>1</sub> = 1nF	-	22	-	V
<b>UNDER VOLTAGE LOCKOUT SECTION</b>						
Start Threshold	V <sub>TH</sub>	UC3842A	15	16	17	V
		UC3843A	7.8	8.4	9.0	V
Min. Operating Voltage ( After turn on )	V <sub>TL</sub>	UC3842A	9	10	11	V
		UC3843A	7.0	7.6	8.2	V
<b>PWM SECTION</b>						
Maximum Duty Cycle	D <sub>MAX</sub>	UC3842A/UC3843A	94	96	100	%
Minimum Duty Cycle	D <sub>MIN</sub>	-	-	-	0	%
<b>TOTAL STANDBY CURRENT</b>						
Start-Up Current	I <sub>ST</sub>	-	-	0.2	0.4	mA
Operating Supply Current	I <sub>CC</sub>	V <sub>PIN2</sub> = V <sub>PIN3</sub> = 0V	-	11	17	mA
V <sub>CC</sub> Zener Voltage	V <sub>Z</sub>	I <sub>CC</sub> = 25mA	-	29	-	V

\* Adjust V<sub>CC</sub> above the start threshold before setting at 15V

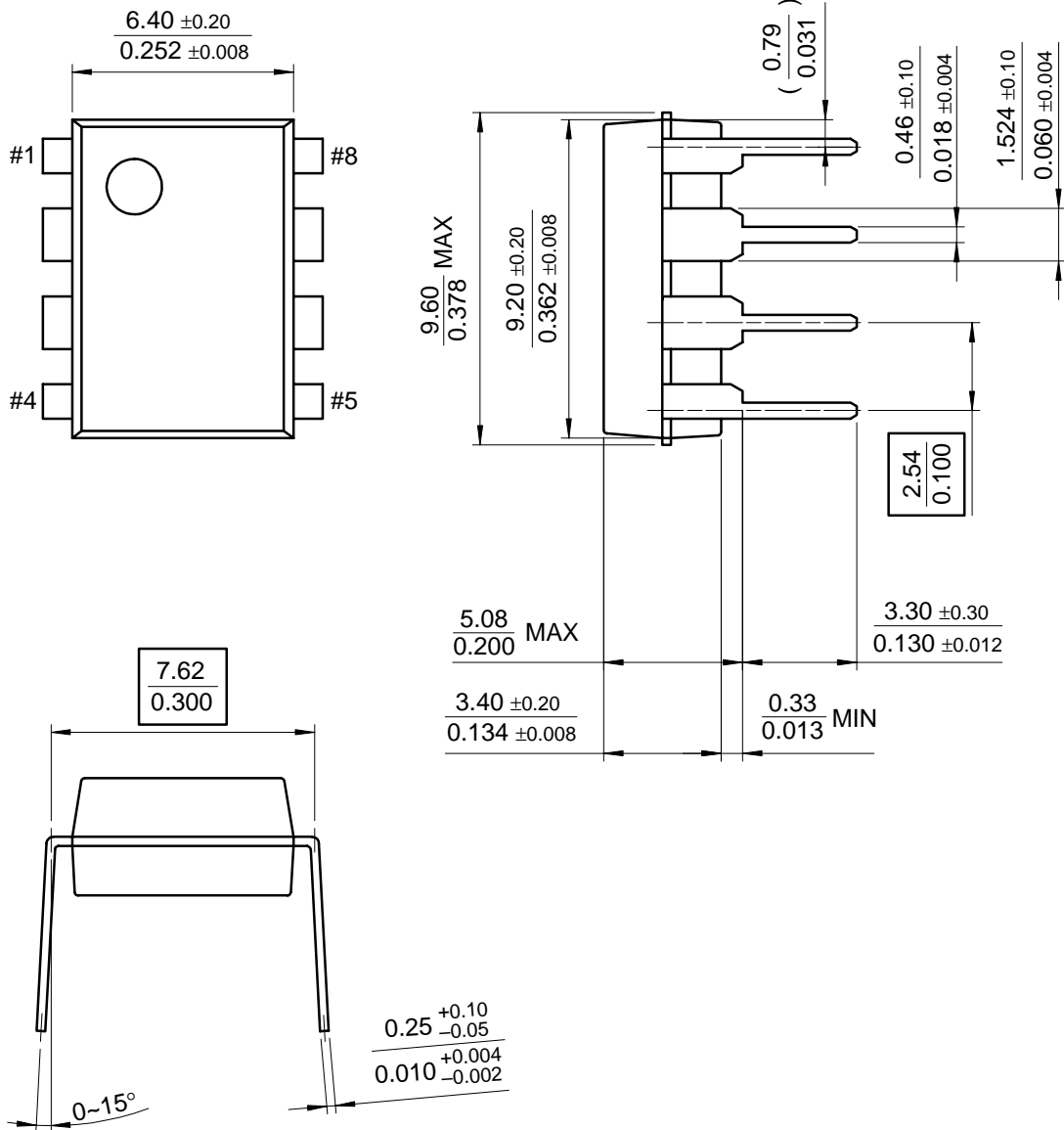
### Notes :

1. These parameters, although guaranteed, are not 100% tested in production.
2. Parameter measured at trip point of latch with V<sub>2</sub> = 0V.
3. Gain defined as:  $G_V = \Delta V_{PIN1} / \Delta V_{PIN3}$  (V<sub>PIN3</sub> = 0 to 0.8V)

# Mechanical Dimensions

## Package

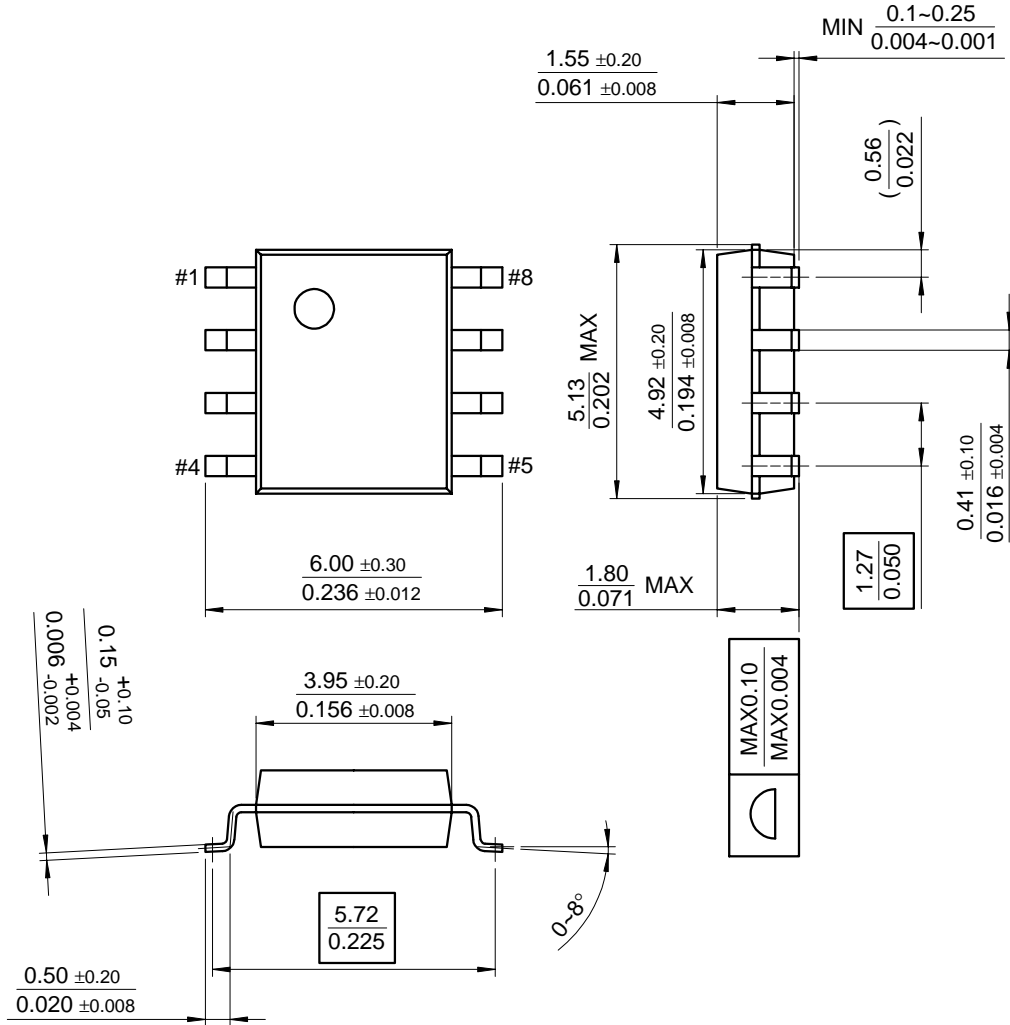
### 8-DIP



**Mechanical Dimensions** (Continued)

**Package**

**8-SOP**



**Ordering Information**

<b>Product Number</b>	<b>Package</b>	<b>Operating Temperature</b>
UC3842AN	8 DIP	0 ~ + 70°C
UC3842AD	8 SOP	
UC3843AN	8 DIP	
UC3843AD	8 SOP	





**LIFE SUPPORT POLICY**

FAIRCHILD'S PRODUCTS ARE NOT AUTHORIZED FOR USE AS CRITICAL COMPONENTS IN LIFE SUPPORT DEVICES OR SYSTEMS WITHOUT THE EXPRESS WRITTEN APPROVAL OF THE PRESIDENT OF FAIRCHILD SEMICONDUCTOR INTERNATIONAL. As used herein:

1. Life support devices or systems are devices or systems which, (a) are intended for surgical implant into the body, or (b) support or sustain life, and (c) whose failure to perform when properly used in accordance with instructions for use provided in the labeling, can be reasonably expected to result in a significant injury of the user.
2. A critical component in any component of a life support device or system whose failure to perform can be reasonably expected to cause the failure of the life support device or system, or to affect its safety or effectiveness.

ON Semiconductor and  are trademarks of Semiconductor Components Industries, LLC dba ON Semiconductor or its subsidiaries in the United States and/or other countries. ON Semiconductor owns the rights to a number of patents, trademarks, copyrights, trade secrets, and other intellectual property. A listing of ON Semiconductor's product/patent coverage may be accessed at [www.onsemi.com/site/pdf/Patent-Marking.pdf](http://www.onsemi.com/site/pdf/Patent-Marking.pdf). ON Semiconductor reserves the right to make changes without further notice to any products herein. ON Semiconductor makes no warranty, representation or guarantee regarding the suitability of its products for any particular purpose, nor does ON Semiconductor assume any liability arising out of the application or use of any product or circuit, and specifically disclaims any and all liability, including without limitation special, consequential or incidental damages. Buyer is responsible for its products and applications using ON Semiconductor products, including compliance with all laws, regulations and safety requirements or standards, regardless of any support or applications information provided by ON Semiconductor. "Typical" parameters which may be provided in ON Semiconductor data sheets and/or specifications can and do vary in different applications and actual performance may vary over time. All operating parameters, including "Typicals" must be validated for each customer application by customer's technical experts. ON Semiconductor does not convey any license under its patent rights nor the rights of others. ON Semiconductor products are not designed, intended, or authorized for use as a critical component in life support systems or any FDA Class 3 medical devices or medical devices with a same or similar classification in a foreign jurisdiction or any devices intended for implantation in the human body. Should Buyer purchase or use ON Semiconductor products for any such unintended or unauthorized application, Buyer shall indemnify and hold ON Semiconductor and its officers, employees, subsidiaries, affiliates, and distributors harmless against all claims, costs, damages, and expenses, and reasonable attorney fees arising out of, directly or indirectly, any claim of personal injury or death associated with such unintended or unauthorized use, even if such claim alleges that ON Semiconductor was negligent regarding the design or manufacture of the part. ON Semiconductor is an Equal Opportunity/Affirmative Action Employer. This literature is subject to all applicable copyright laws and is not for resale in any manner.

## PUBLICATION ORDERING INFORMATION

### LITERATURE FULFILLMENT:

Literature Distribution Center for ON Semiconductor  
19521 E. 32nd Pkwy, Aurora, Colorado 80011 USA  
**Phone:** 303-675-2175 or 800-344-3860 Toll Free USA/Canada  
**Fax:** 303-675-2176 or 800-344-3867 Toll Free USA/Canada  
**Email:** [orderlit@onsemi.com](mailto:orderlit@onsemi.com)

**N. American Technical Support:** 800-282-9855 Toll Free  
USA/Canada  
**Europe, Middle East and Africa Technical Support:**  
Phone: 421 33 790 2910  
**Japan Customer Focus Center**  
Phone: 81-3-5817-1050

**ON Semiconductor Website:** [www.onsemi.com](http://www.onsemi.com)  
**Order Literature:** <http://www.onsemi.com/orderlit>  
For additional information, please contact your local  
Sales Representative

# Mouser Electronics

Authorized Distributor

Click to View Pricing, Inventory, Delivery & Lifecycle Information:

[Fairchild Semiconductor:](#)

[UC3843AN](#) [UC3843AD](#)