

SRD/SRF DC FUSE

Technology
Connects human and nature



SRD-30/50H SRF-50H

www.chinasuntree.com

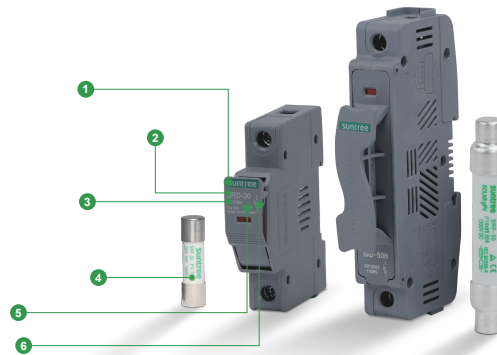


APPLICATION

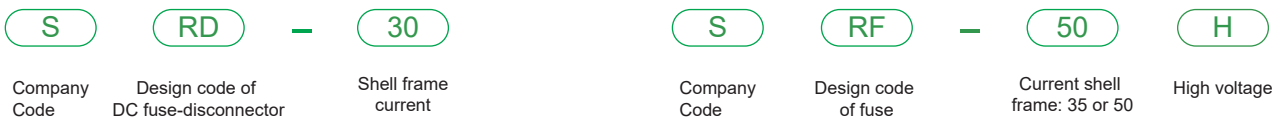
SRD-50H fuse-disconnector is suitable for short-circuit overload protection in power distribution circuit whose rated voltage does not exceed DC1500V, rated current does not exceed 50A, and rated short-circuit capacity does not exceed 20kA. Mainly used in energy storage system, solar photovoltaic collector box, as solar photovoltaic power generation devices, batteries and other semiconductor equipment short circuit and overload protection.

APPEARANCE INTRODUCTION

- 1 Brand
- 2 Name
- 3 Rated operational voltage
- 4 Certification
- 5 Product Size
- 6 Wiring Diagram



TYPE INSTRUCTION



PARAMETER

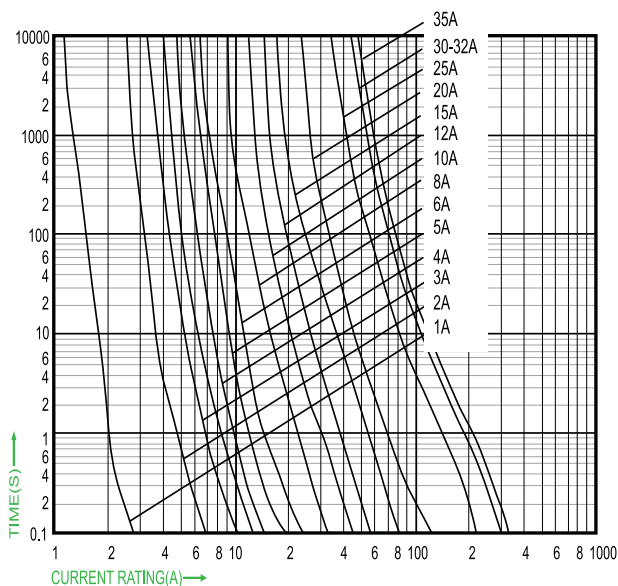
Fuse link type gpv	Rated operational voltage(V)	Rated operational current(A)	Overall dimension(mm)	
			Figure	
35	DC1500V	1-35	1	see the attached diagram
50	DC1 500V	15- 50	2	

PARAMETER

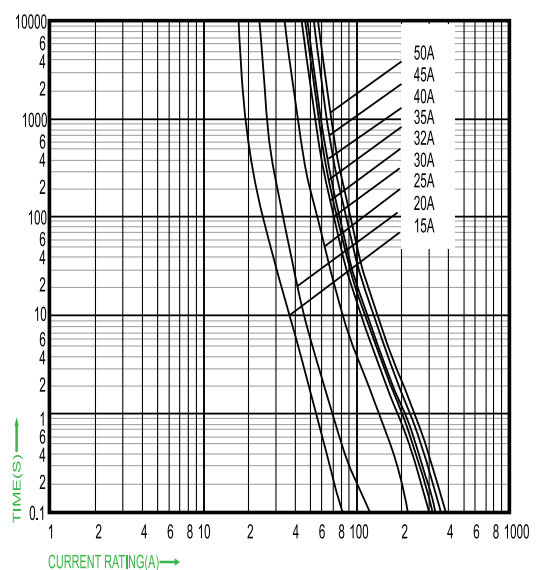
SRD Series PV DC FUSE

Product Model	SRD-50H	SRD-30
Rated insulation voltage Ui	1600V	1200V
Rated service voltage Ue	DC1500V	DC1100V
Rated service current Ie	2/3/4/5/6/8/10/12/15/16/20/25/30/32/35/40/45/50A	2/3/4/5/6/8/10/12/15/16/20/25/30A
Rated impulse withstand volage Uimp	8kV	6kV
Rated acceptable power dissipation	≤12W	4W
Numbers of poles	1P	1P
Rated limiting short circuit current	50kA	30kA
Fuse dimensions for use	10mmx85mm/14mmx85mm	10mmx38mm
Citation standards	IECEN60947-1 IEC/EN 60947-3	IEC/EN60947-1 IEC/EN 60947-3
Ingress protection	IP20	IP20
Use category	PV-0	PV-0

CHARACTERISTIC CURVE

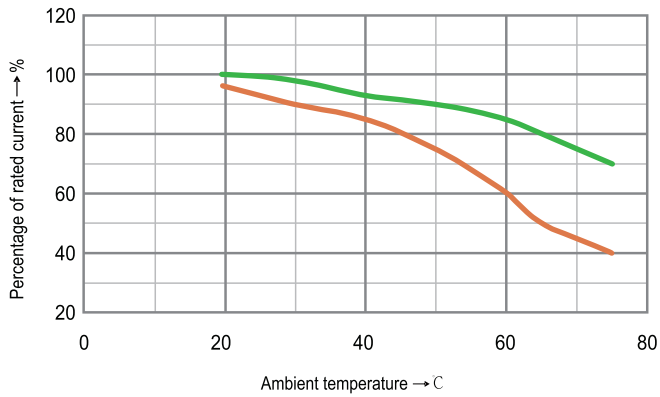


SRF-35H



SRF-50H

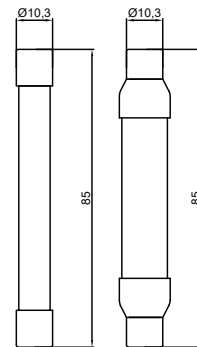
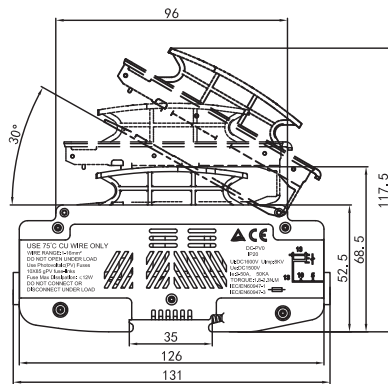
DERATING CURVE



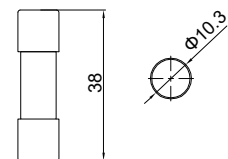
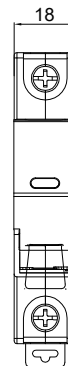
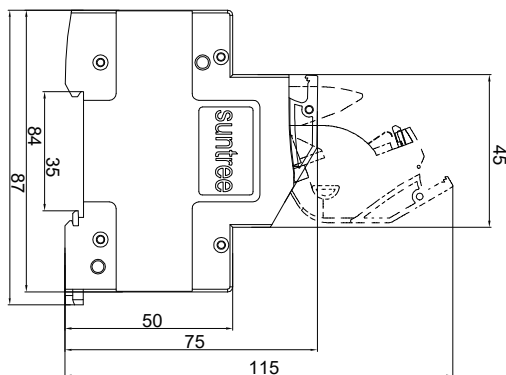
- Single-pole's derating coefficient
- Multi-pole's derating coefficient

OVERALL DIMENSION

SRD-50H



SRD-30

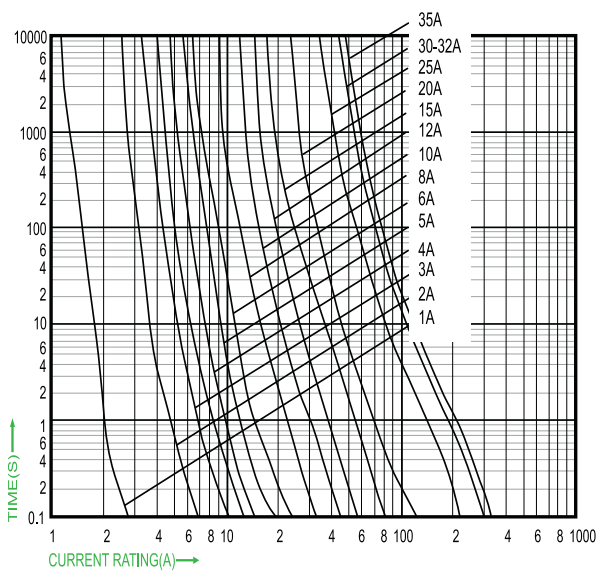


PARAMETER

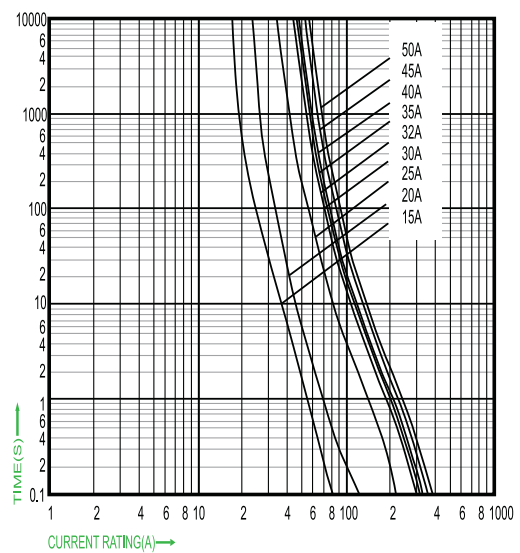
SRD Series PV DC FUSE

Product Model	SRD-50H	SRD-30
Rated insulation voltage Ui	1600V	1200V
Rated service voltage Ue	DC1500V	DC1100V
Rated service current Ie	2/3/4/5/6/8/10/12/15/16/20/25/30/32/35/40/45/50A	2/3/4/5/6/8/10/12/15/16/20/25/30A
Rated impulse withstand volage Uimp	8kV	6kV
Rated acceptable power dissipation	≤12W	4W
Numbers of poles	1P	1P
Rated limiting short circuit current	50kA	30kA
Fuse dimensions for use	10mmx85mm/14mmx85mm	10mmx38mm
Citation standards	IECEN60947-1 IEC/EN 60947-3	IEC/EN60947-1 IEC/EN 60947-3
Ingress protection	IP20	IP20
Use category	PV-0	PV-0

CHARACTERISTIC CURVE



SRF-35H



SRF-50H



📍 Add: Xinguang Industrial Zone, Liushi, Yueqing Zhejiang China

☎ Tel: +86-577-62890205

✉ E-mail: tony@chinasuntree.com

🌐 www.chinasuntree.com